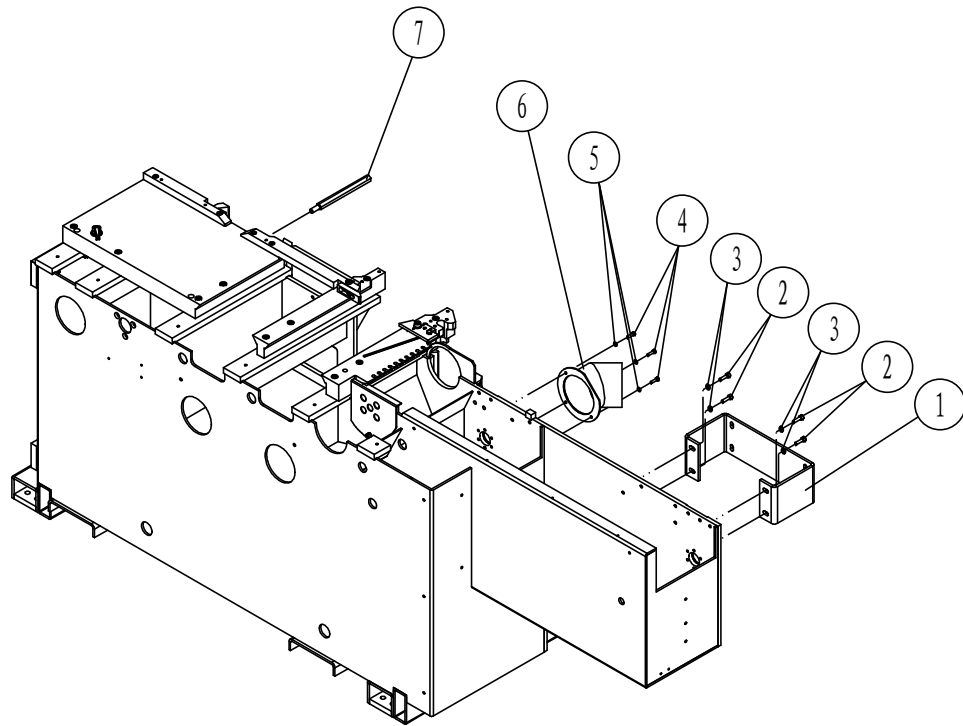
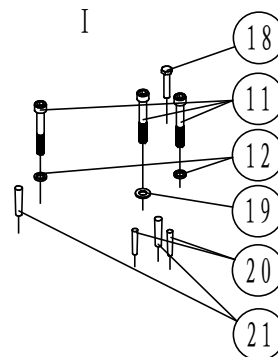
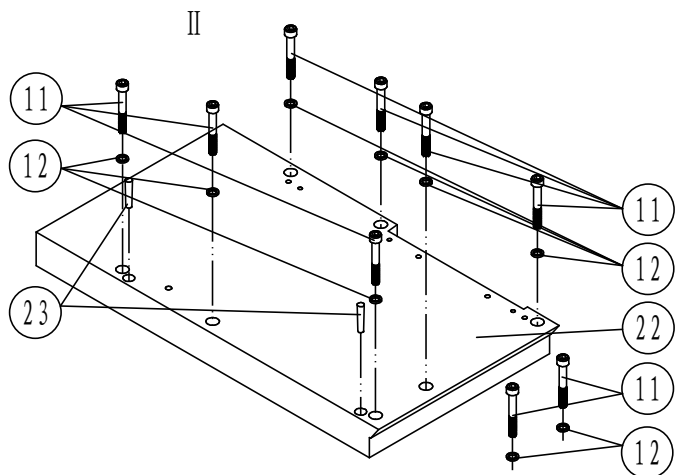
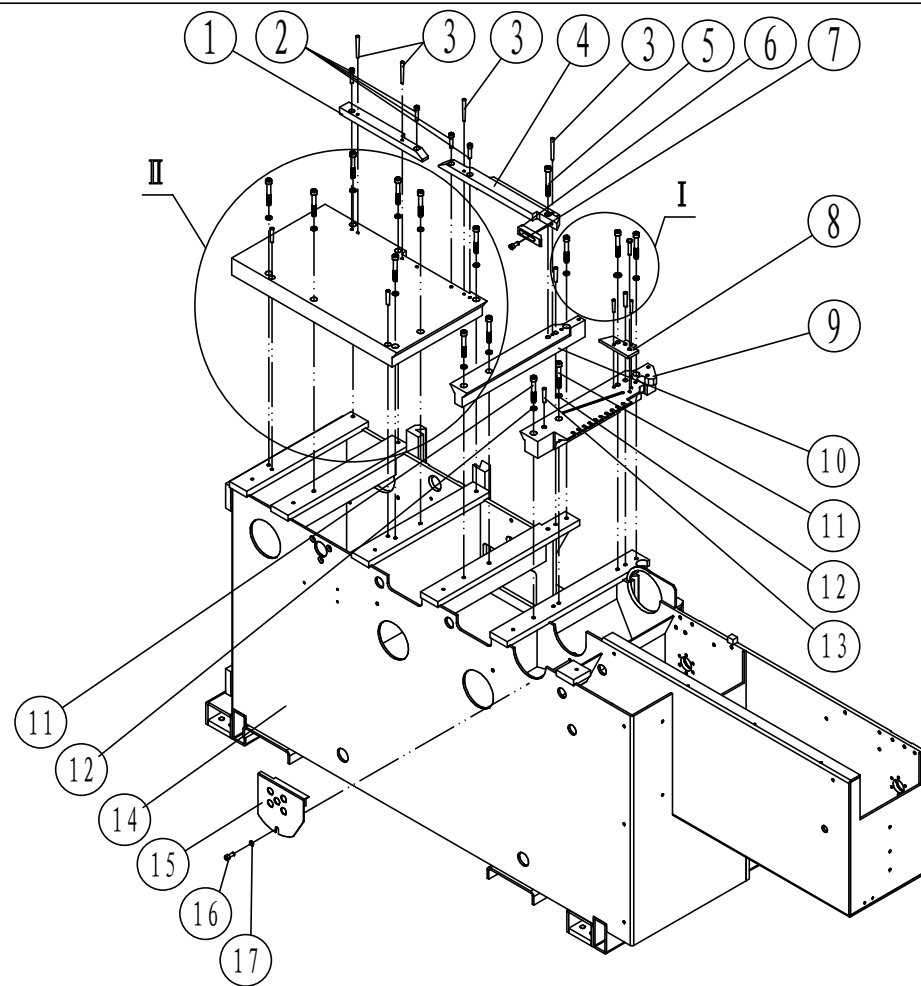


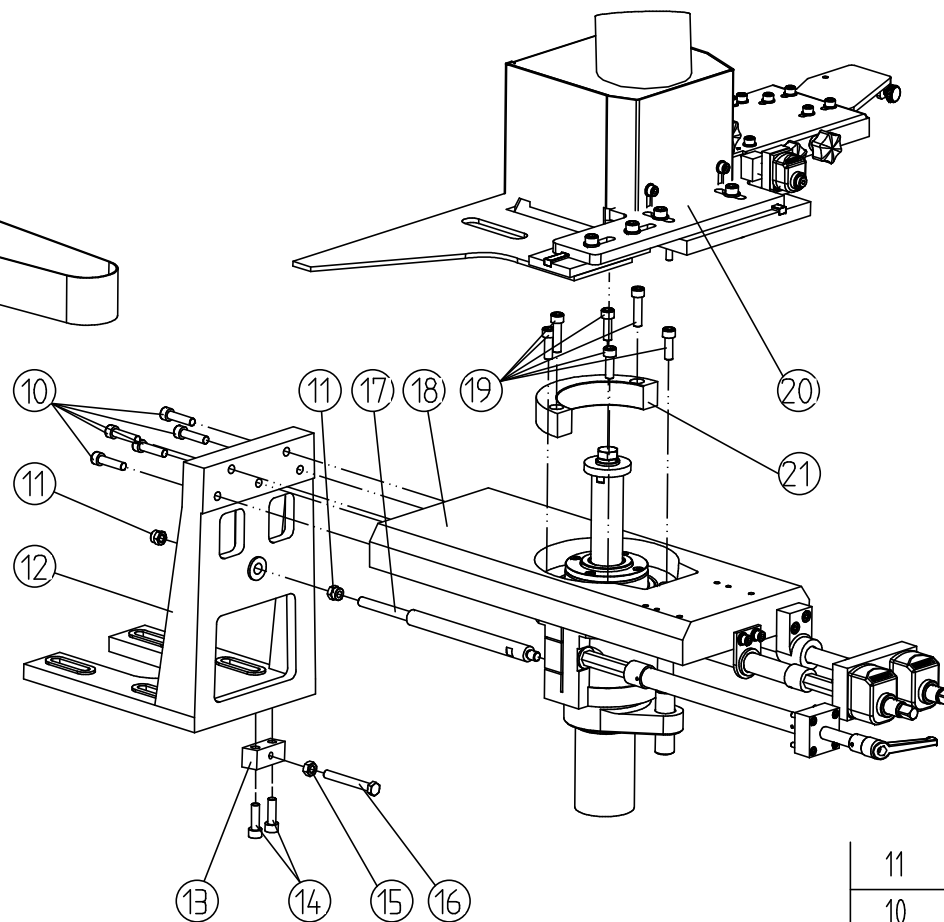
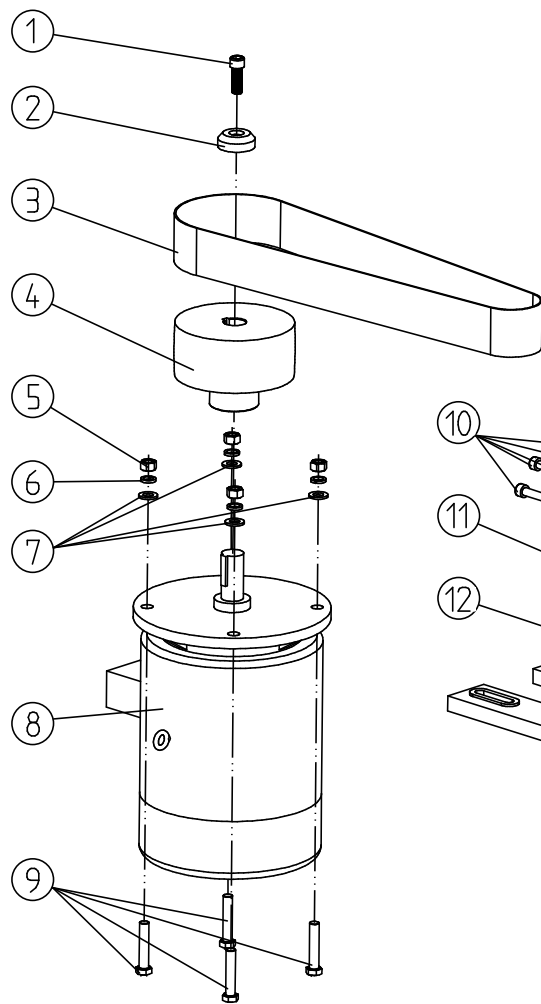
8	234U02	1
7	23403	1
6	234U03	1
5	234U04	1
4	23402	1
3	234U06	1
2	23401	1
1	23404	1
NO.	PART NO.	QTY
DWG. NO.		
MODEL	PAGE NO.	1



7	234U01-21	1
6	234U01-23	1
5	G97.2M6	3
4	G70.1M6X20	3
3	G97.2M10	4
2	G70.1M10X25	4
1	234U01-24	1
NO.	PART NO.	QTY
DWG. NO.		
MODEL	PAGE NO.	2

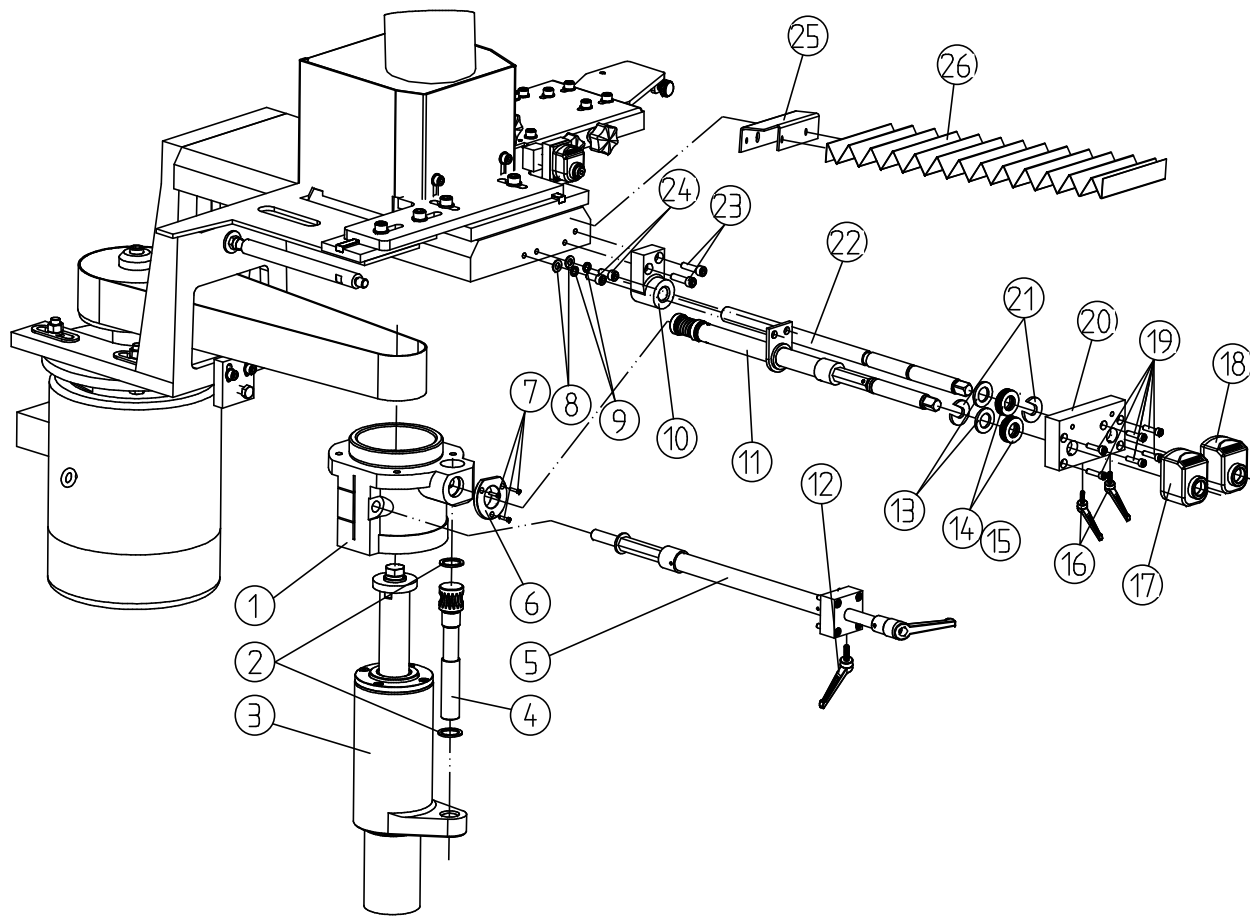


23	G117-A8X45	2
22	23401-1	1
21	G117A8X45	2
20	G117A6X40	2
19	G97.1M10	1
18	G5780M8X40	1
17	G93M8	1
16	G70.1M8X20	1
15	234U01-20	1
14	2340101	1
13	G117A8X45	1
12	G93M10	13
11	G70.1M10X70	14
10	234U01-4	1
9	234U01-3	1
8	234U01-8	1
7	G70.1M8X20	1
6	234U01-9	1
5	G70.1M10X80	1
4	234U01-10	1
3	G117-A6X70	4
2	G70.1M8X35	4
1	23401-2	1



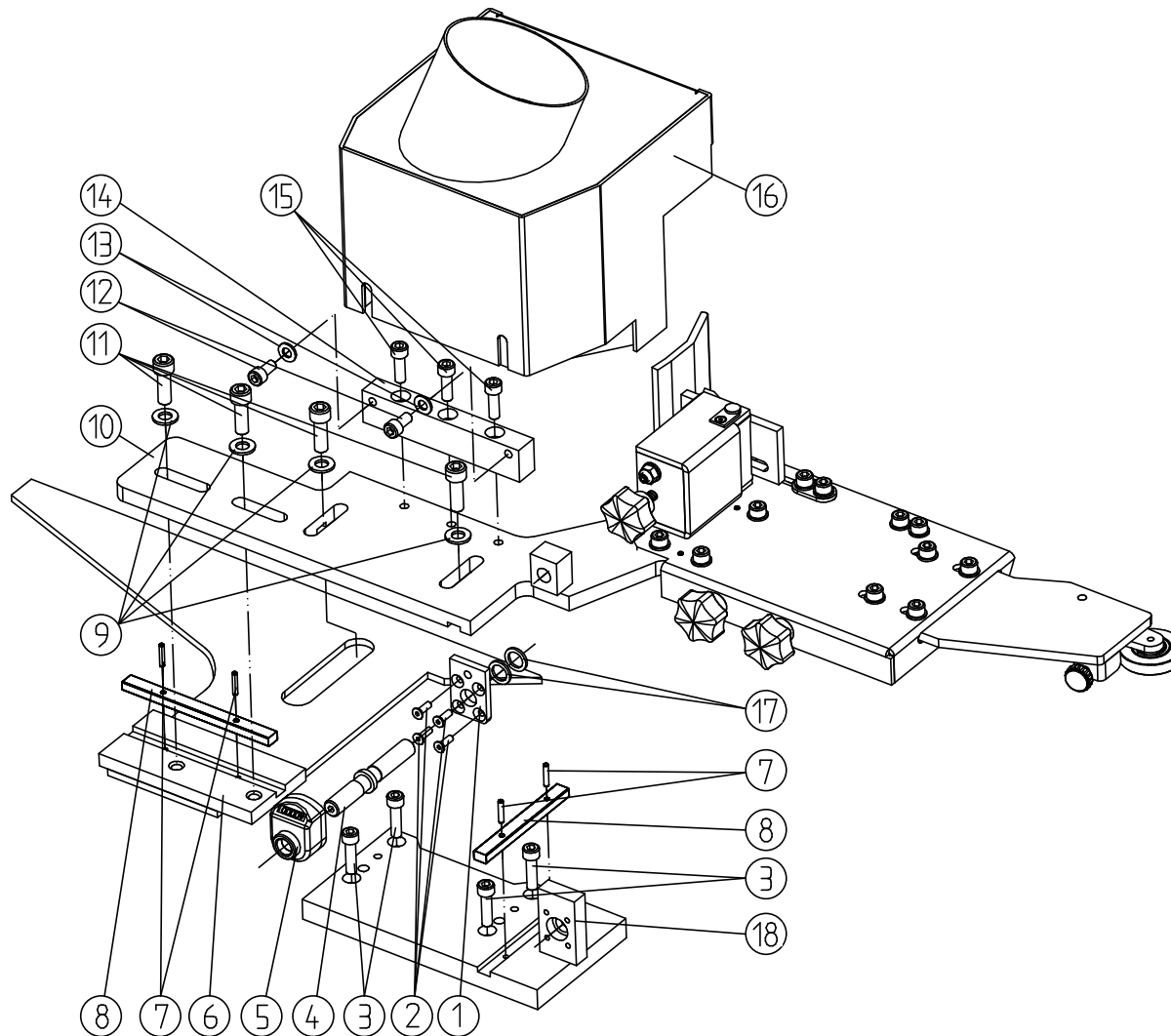
21	234U04-2	1
20	2340202	1
19	G70.1M10X30	6
18	234U05-1	1
17	234U05-4	1
16	G5783M10X80	1
15	G6170M10	1
14	G70.1M8X25	2
13	234U05-5	1
12	234U04-4	1

11	G6182M10	2
10	G70.1M10X40	5
9	10308-21	4
8	MS-112M2-2-B5	1
7	G97.1M12	4
6	G93M12	4
5	G6170M12	4
4	20205-10P1	1
3	H1904-3X63X1335	1
2	20205-15	1
1	G70.1M12X35	1



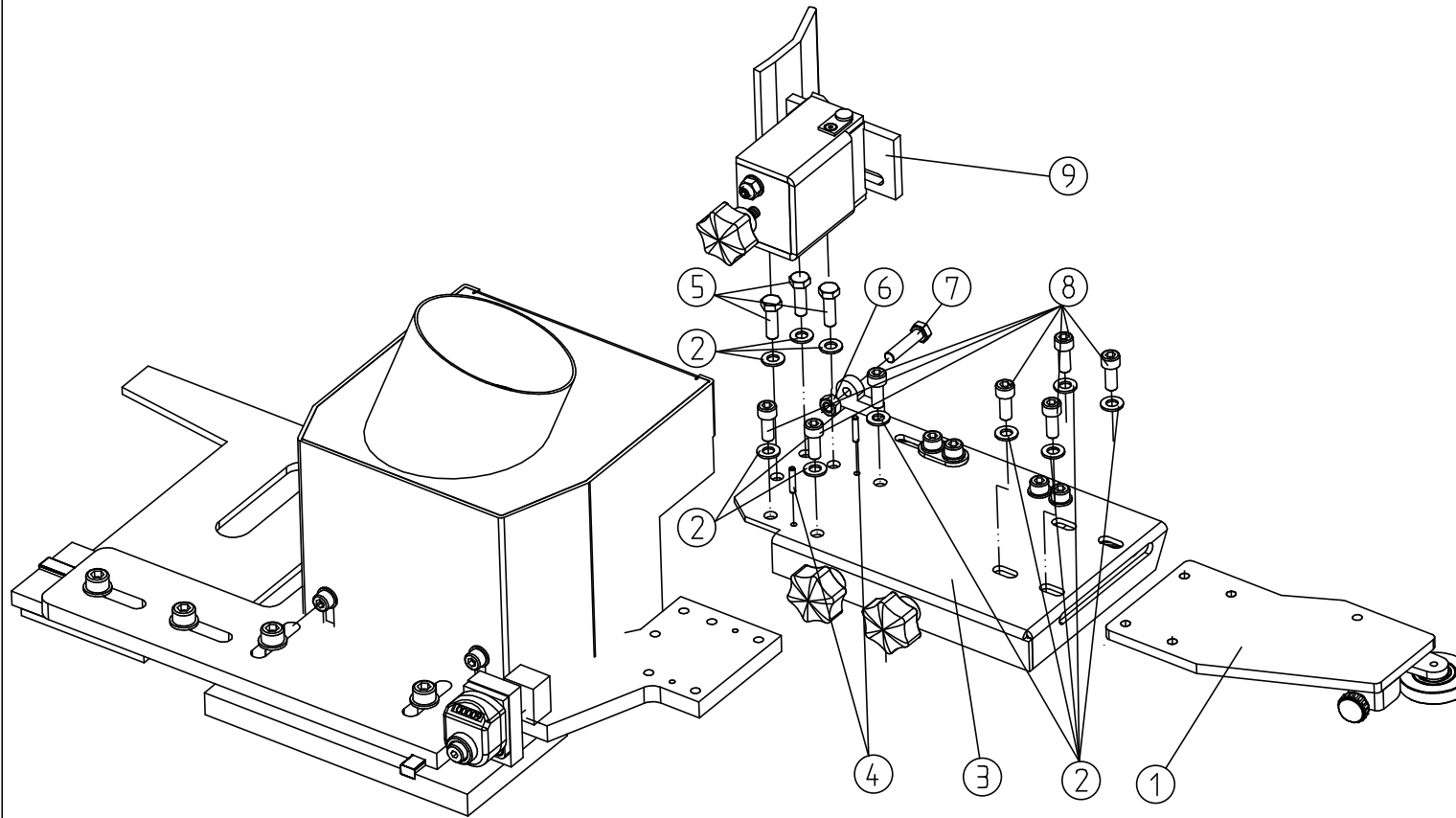
26	28513-2	1
25	234U05-6	1
24	G70.1M8X20	2
23	G70.1M8X25	2
22	234U05-2B	1
21	234U0501-3	2
20	234U04-13	1
19	G70.1M6X25	6
18	DY0912B-4.0-E-20-0-B	1
17	DY0912B-0.5-I-20-0-B	1
16	H1702-BM6X45X70	2
15	G4605 AS2035	4

14	G4605 AXK2035	2
13	234U0501-4	2
12	H1702-BM8X63X75	1
11	234U0503	1
10	234U04-5	1
9	G93M8	2
8	G97.1M8	2
7	G70.1M5X16	3
6	234U04-19	1
5	234U0501	1
4	234U04-17	1
3	234U0401	1
2	234U04-15	2
1	234U05-3	1

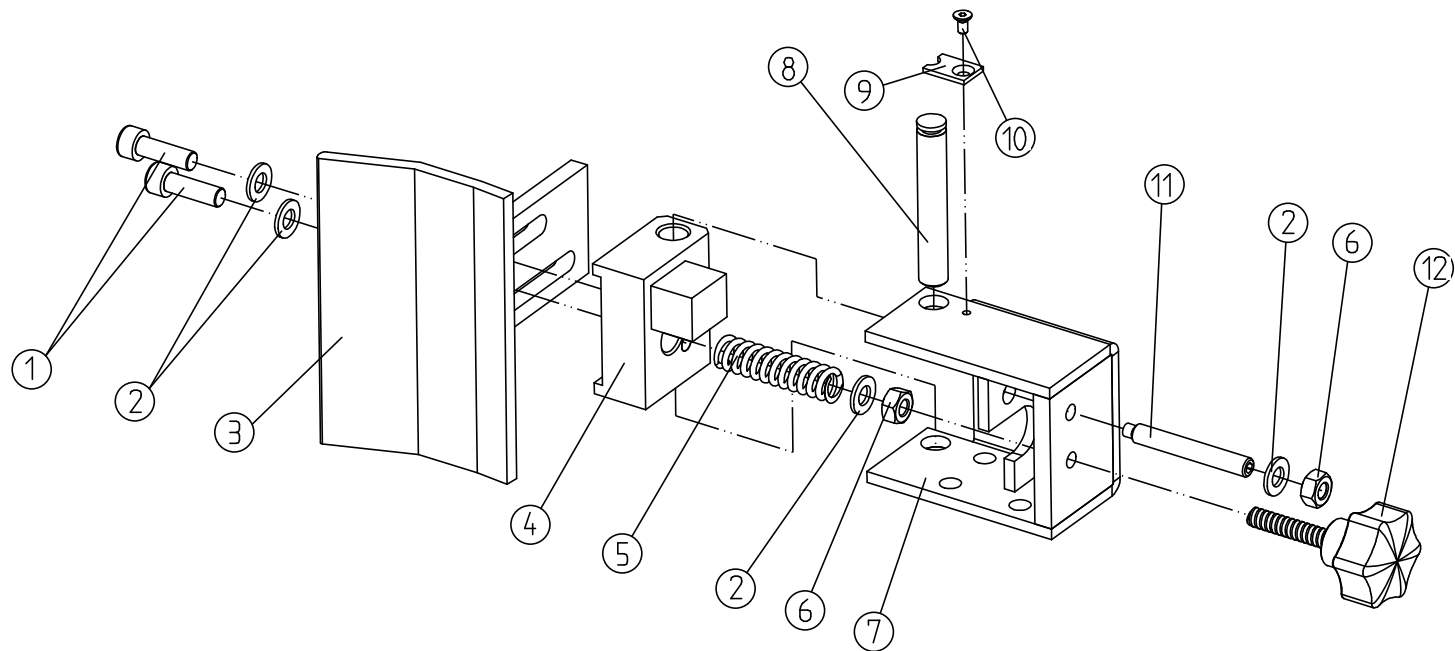


18	234U0502-4	1
17	234U0502-7	2
16	234U050204	1
15	G70.1M8X25	3
14	234U0502-2	1
13	G97.1M8	2
12	G70.1M8X16	2
11	G70.1M10X30	4
10	234U0502-3	1
9	G97.1M10	4
8	G1096-B12X140	2
7	G879.1-4X20	4
6	2340202-1	1
5	DY0416-1.5-E-14-0-A	1
4	234U0502-6	1
3	G70.1M8X30	4
2	G70.3M5X16	4
1	234U0502-5	1

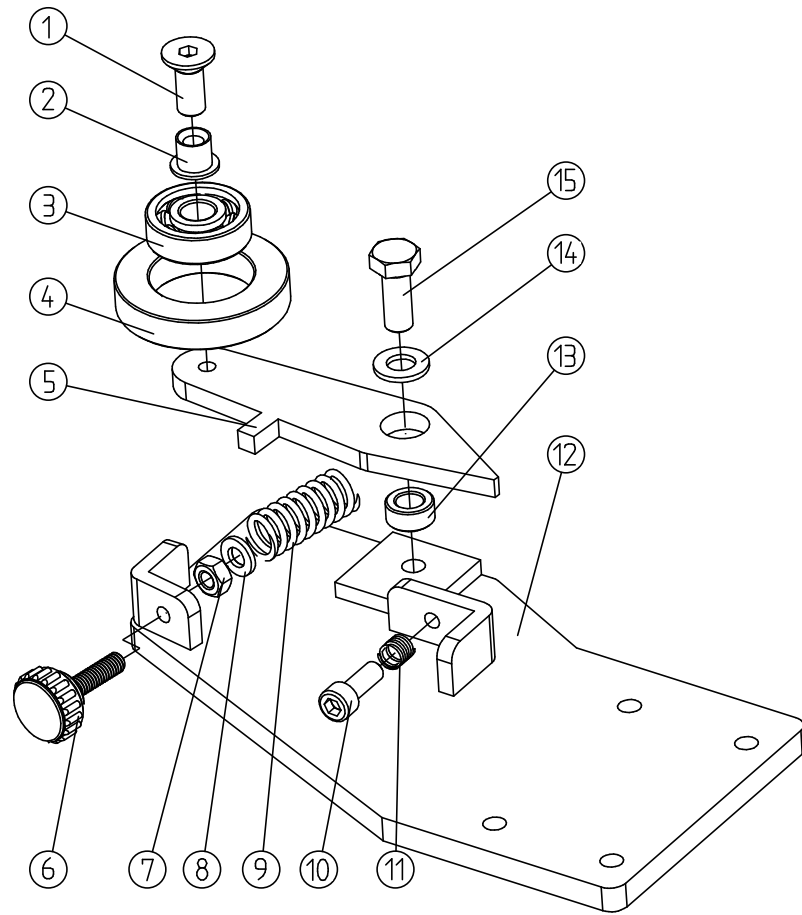
NO.	PART NO.	QTY
DWG. NO.		
MODEL	PAGE NO.	6



9	234U050201	1
8	G70.1M8X20	7
7	G5783M8X35	1
6	G6170M8	1
5	G5783M8X20	3
4	G879.1-4X20	2
3	234U050203	1
2	G97.1M8	10
1	234U050202	1
NO.	PART NO.	QTY
DWG. NO.		
MODEL	PAGE NO.	7



12	H1705-BM8X40X40	1
11	G79M8X60	1
10	G70.3M4X8	1
9	234U050201-2	1
8	234U050201-1	1
7	234U05020102	1
6	G6170M8	2
5	G2089-YI2.5X12X6X54	1
4	234U050201-3	1
3	234U05020101	1
2	G97.1M8	4
1	G70.1M8X25	2



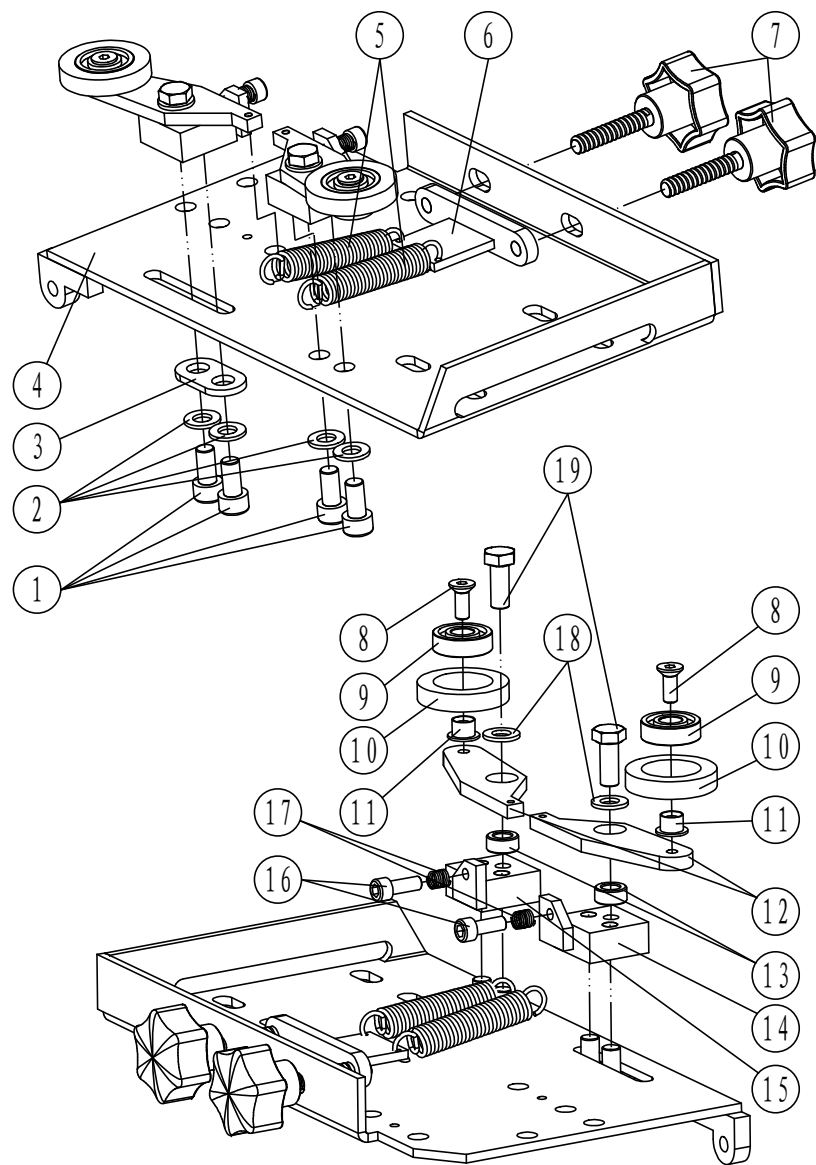
15	G5783M8X20	1
14	G97.1M8	1
13	234U050202-3	1
12	234U050202-1	1
11	G2089-Y10.8X8X4X19	1
10	G70.1M6X16	1
9	G2089-Y12X12X5X62	1
8	G97.1M6	1
7	G6170M6	1
6	H1703-BM6X22X20	1
5	234U050202-2	1
4	234U050202-5	1
3	G276-6200-2RS	1
2	234U050202-4	1
1	G70.3M6X20	1
NO.	PART NO.	QTY

DWG. NO.

MODEL

PAGE NO.

9



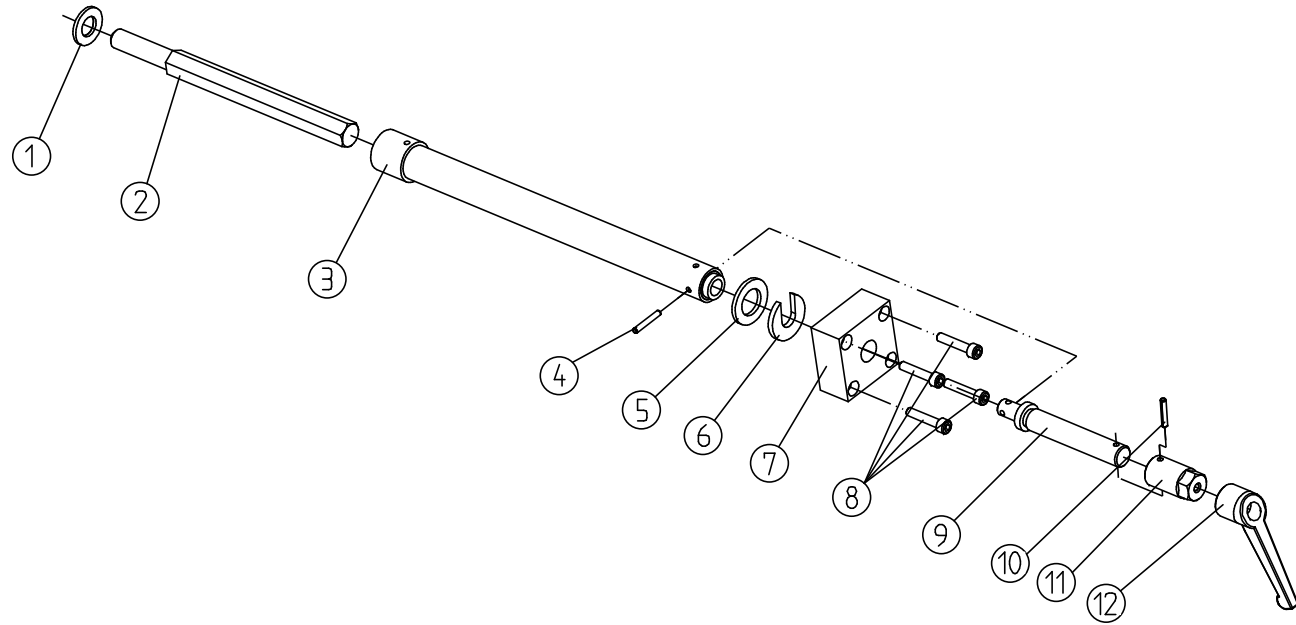
19	G5783M8X20	2
18	G97.1M8	2
17	G2089-Y10.8X8X4X19	2
16	G70.1M6X16	2
15	234U05020302	1
14	234U05020301	1
13	234U050202-3	2
12	234U050203-6	2
11	234U050203-2	2
10	234U050203-3	2
9	G276-6000-2RS	2
8	G70.3M6X16	2
7	H1705-BM8X40X40	2
6	234U050203-4	1
5	234U050203-7	2
4	234U050203-1	1
3	234U050203-5	1
2	G97.1M8	4
1	G70.1M8X16	4
NO.	PART NO.	QTY

DWG. NO.

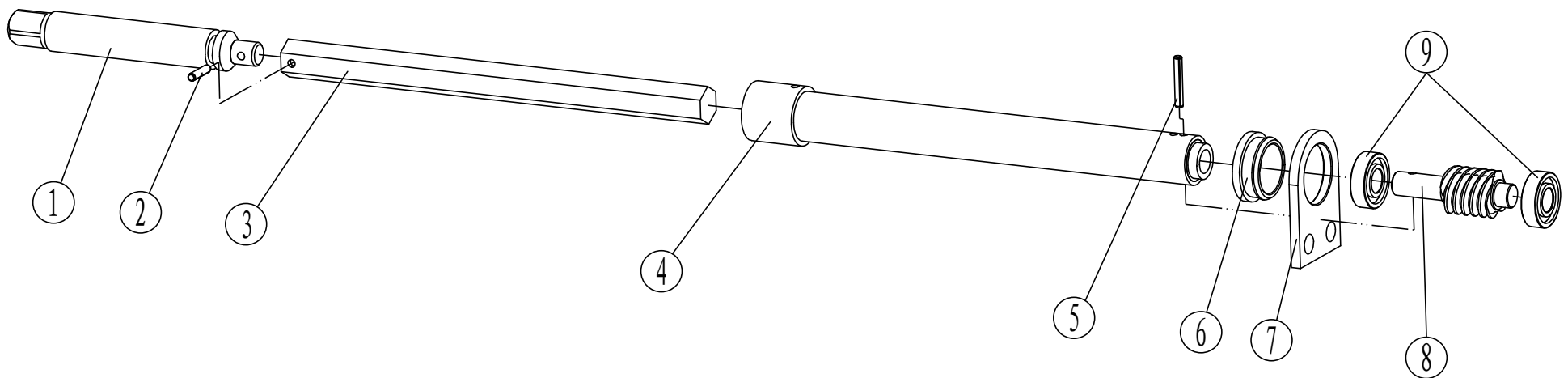
MODEL

PAGE NO.

10

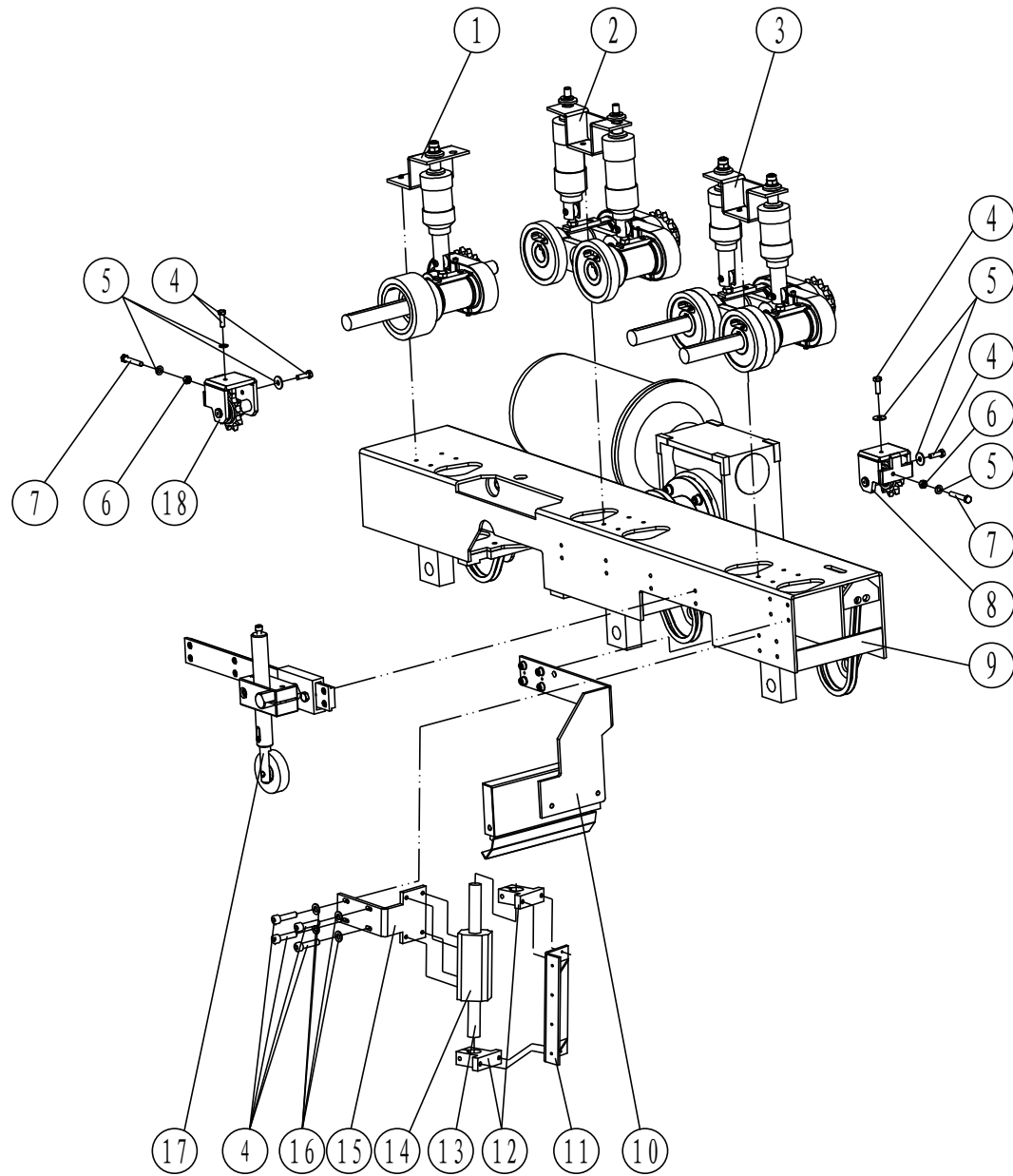


12	H1701-114	1
11	234U0302-2	1
10	G879.1-4X22	1
9	234U0501-1	1
8	G70.1M6X30	4
7	234U0501-2	1
6	234U0501-3	1
5	234U0501-4	1
4	G879.1-4X26	1
3	234U050101	1
2	234U0501-5	1
1	G97.1M14	1
NO.	PART NO.	QTY
DWG. NO.		
MODEL	PAGE NO.	11



9	G276-6001-2RS	2
8	234U0402-5	1
7	234U0402-1	1
6	234U0402-4	1
5	G879.1-4X26	1
4	234U050301B	1
3	234U0503-1	1
2	G879.1-4X18	1
1	234U0402-3	1

234U0503

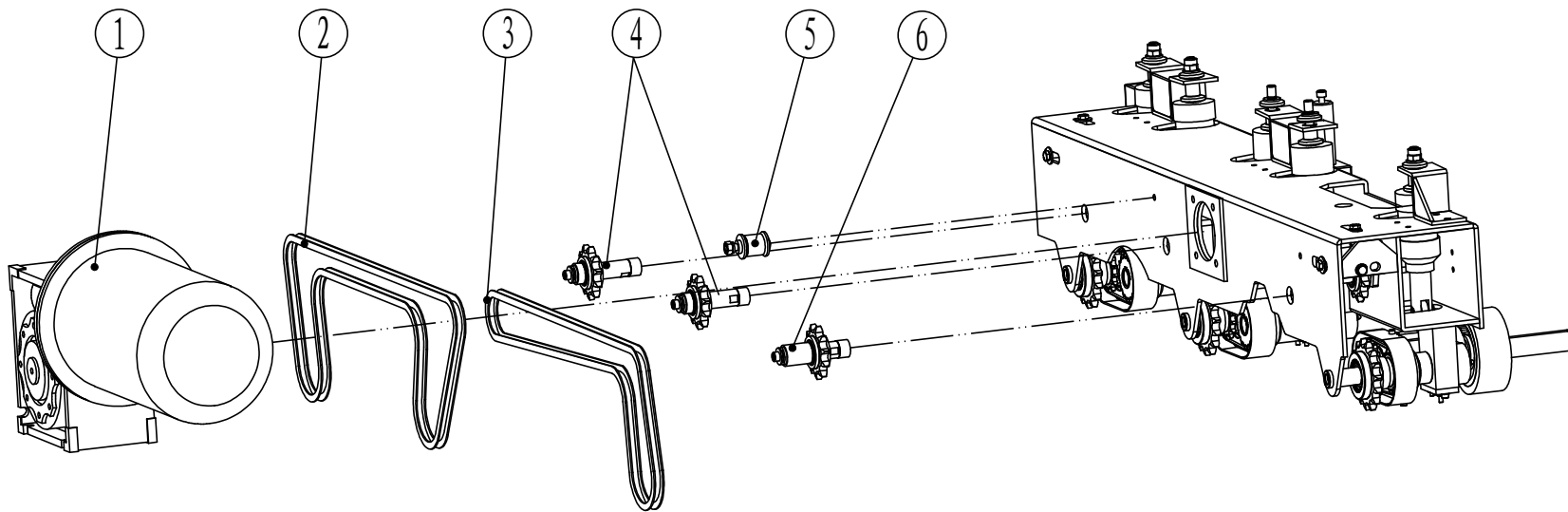


18	234U0807	1
17	234U0804	1
16	G97.2M6	4
15	234U08-3	1
14	SC25WUU	1
13	SFC25(D25×330)	1
12	SK25	2
11	234U08-4	1
10	234U0813	1
9	2340301	1
8	234U0806	1
7	G5783M8X50	2
6	G6170M8	2
5	234U0809-1	6
4	G5783M8X20	4
3	234U0801	1
2	234U0802	1
1	234U0803	1

NO.	PART NO.	QTY
-----	----------	-----

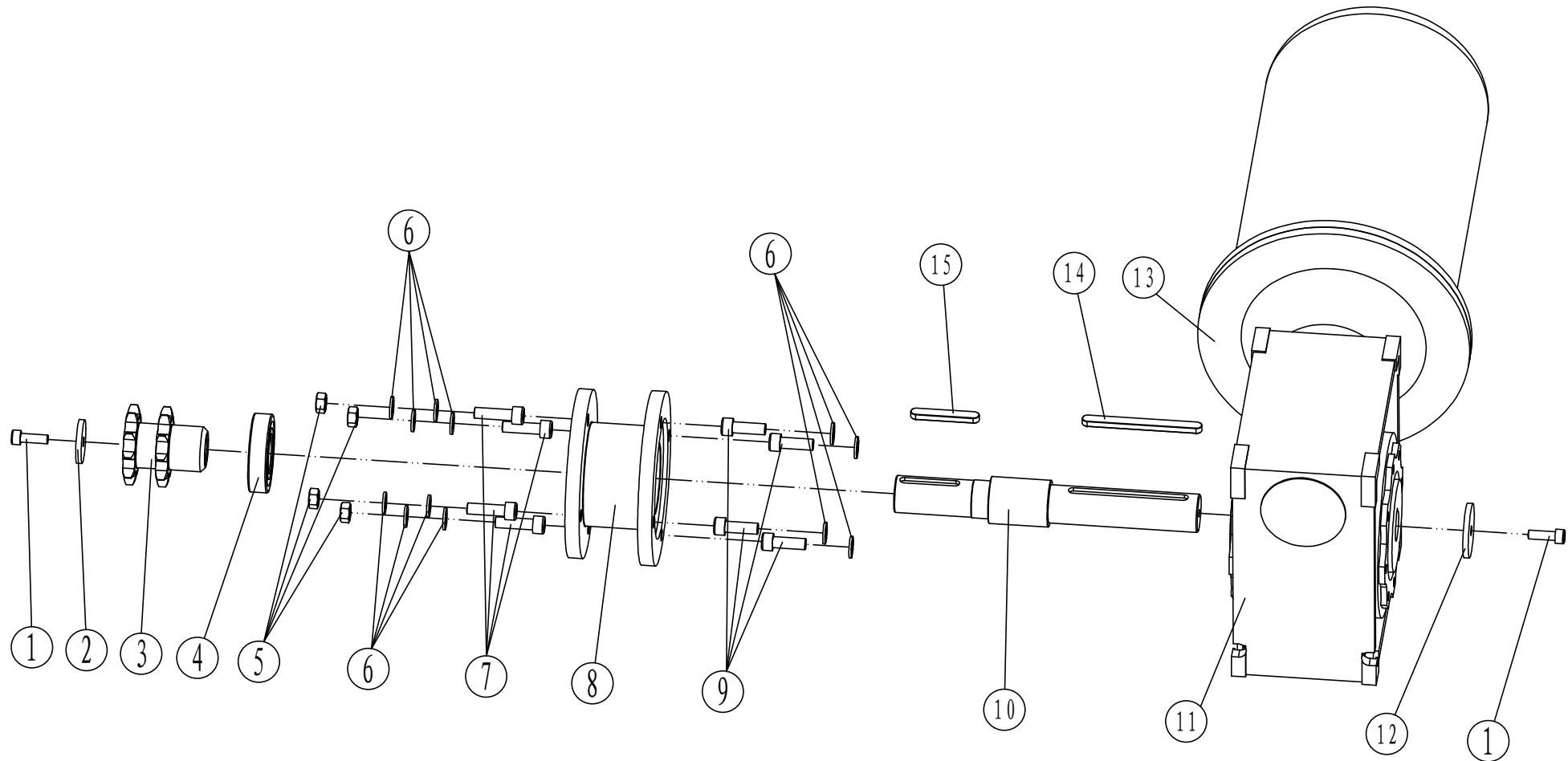
DWG. NO.	
----------	--

MODEL		PAGE NO.	13
-------	--	----------	----



6	234U0809	1
5	234U0808	1
4	234U0810	2
3	G1243.1-12A	1
2	G1243.1-12A	1
1	2340302G2	1

234U03			
	G230/4		

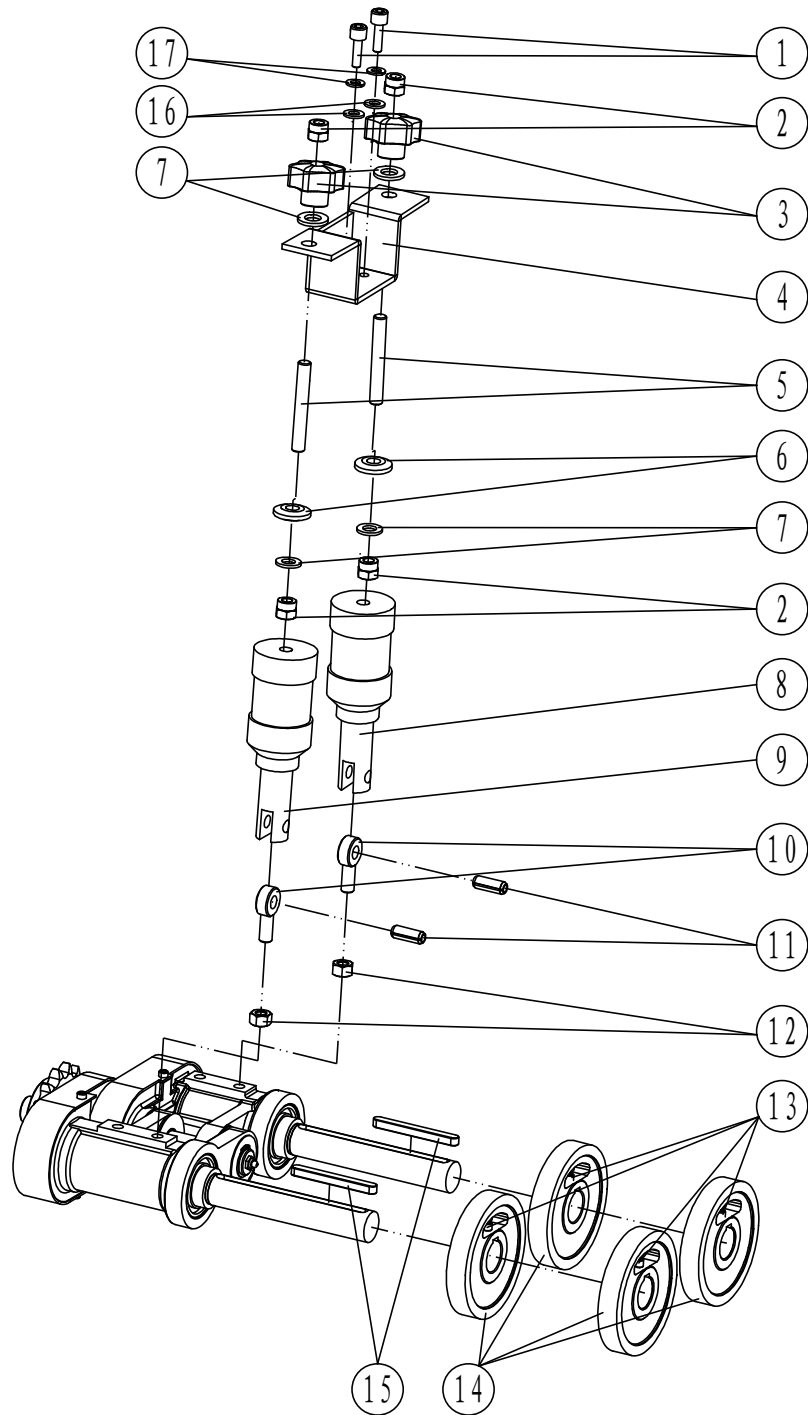


15	G1096-A10X110	1
14	G1096-A10X63	1
13	YD90L-4/2-B5	1
12	234U0812-1	1
11	RV90 60-P90B5-FA	1
10	234U0812-2	1
9	G70.1M10X30	4
8	234U0812-3	1

7	G70.1M10X35	4
6	G70.1M10	12
5	G6170M10	4
4	G276-6207-2RS	1
3	234U0812-4	1
2	234U0812-5	1
1	G70.1M8X25	2

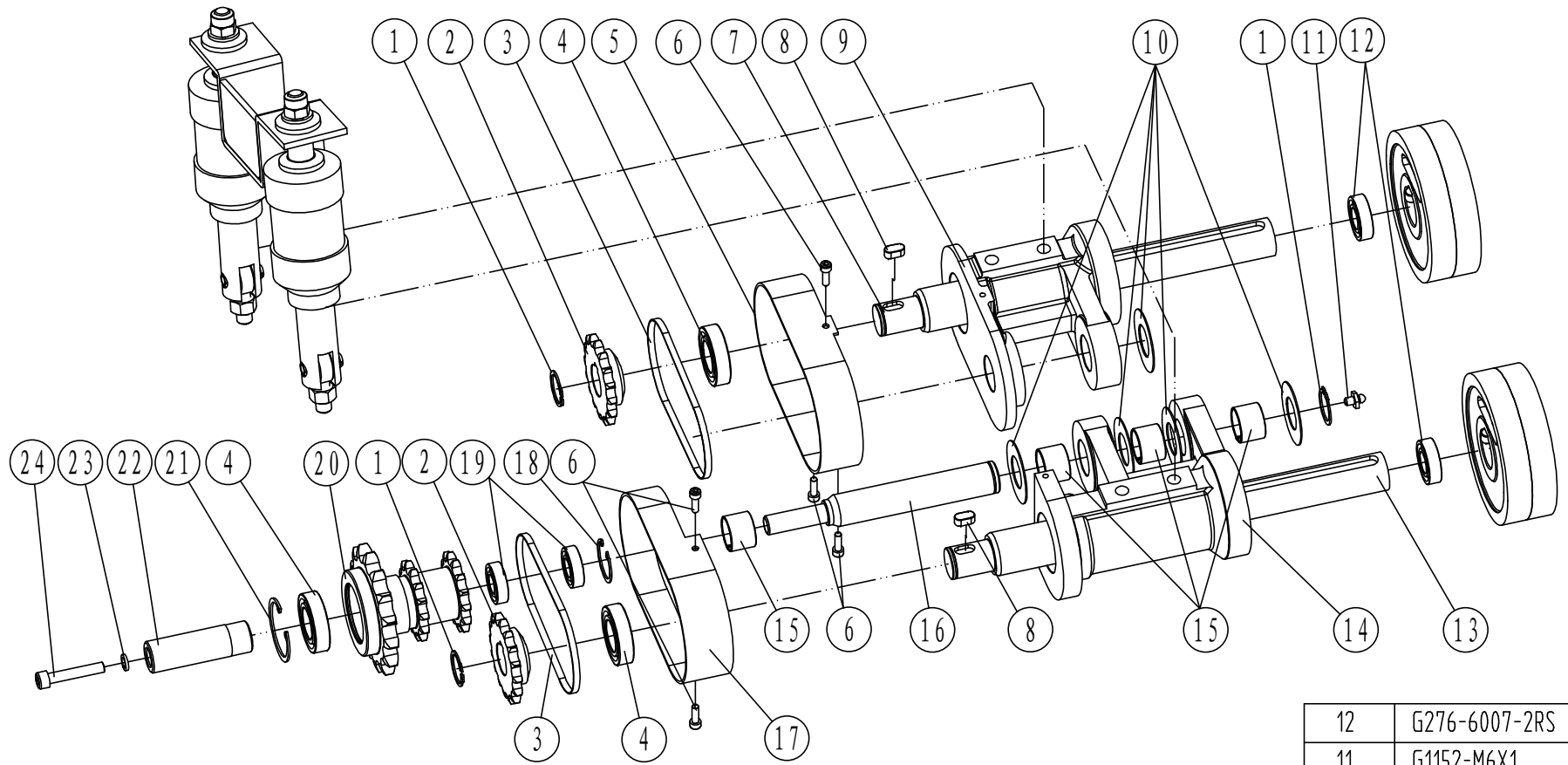
2340302G2

G230/4



17	G93M8	2
16	G97.1M8	2
15	G1096-10X160	2
14	2020402-9B	4
13	G77M8X8	4
12	G6170M12	2
11	G879-12X32	2
10	2011503-15	2
9	206104-6G3	1
8	2011503-4	1
7	G97.1M12	4
6	2011503-5	2
5	20109-6	2
4	234U0801-12	1
3	H1707-M12X50	2
2	G6182M12	4
1	G70.1M8X20	2

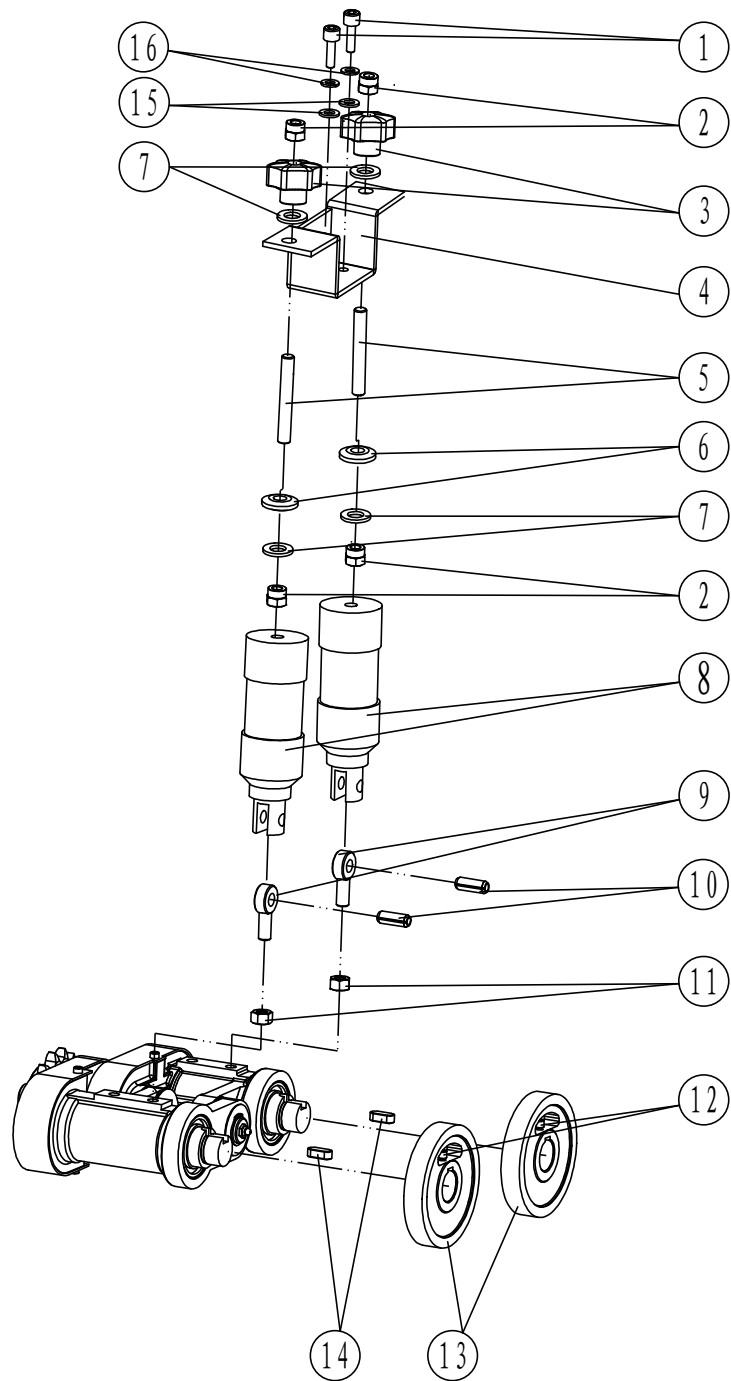
234U0801		
	G230/4	



24	G70.1M8X45	1
23	G93M8	1
22	234U0801-9	1
21	G893.1D47	1
20	234U0801-5	1
19	G276-6002-2RS	2
18	G893.1D32	1
17	234U0801-10	1
16	234U0801-4	1
15	CSB-10-2520	4
14	234U0801-6	1
13	234U0801-7	1

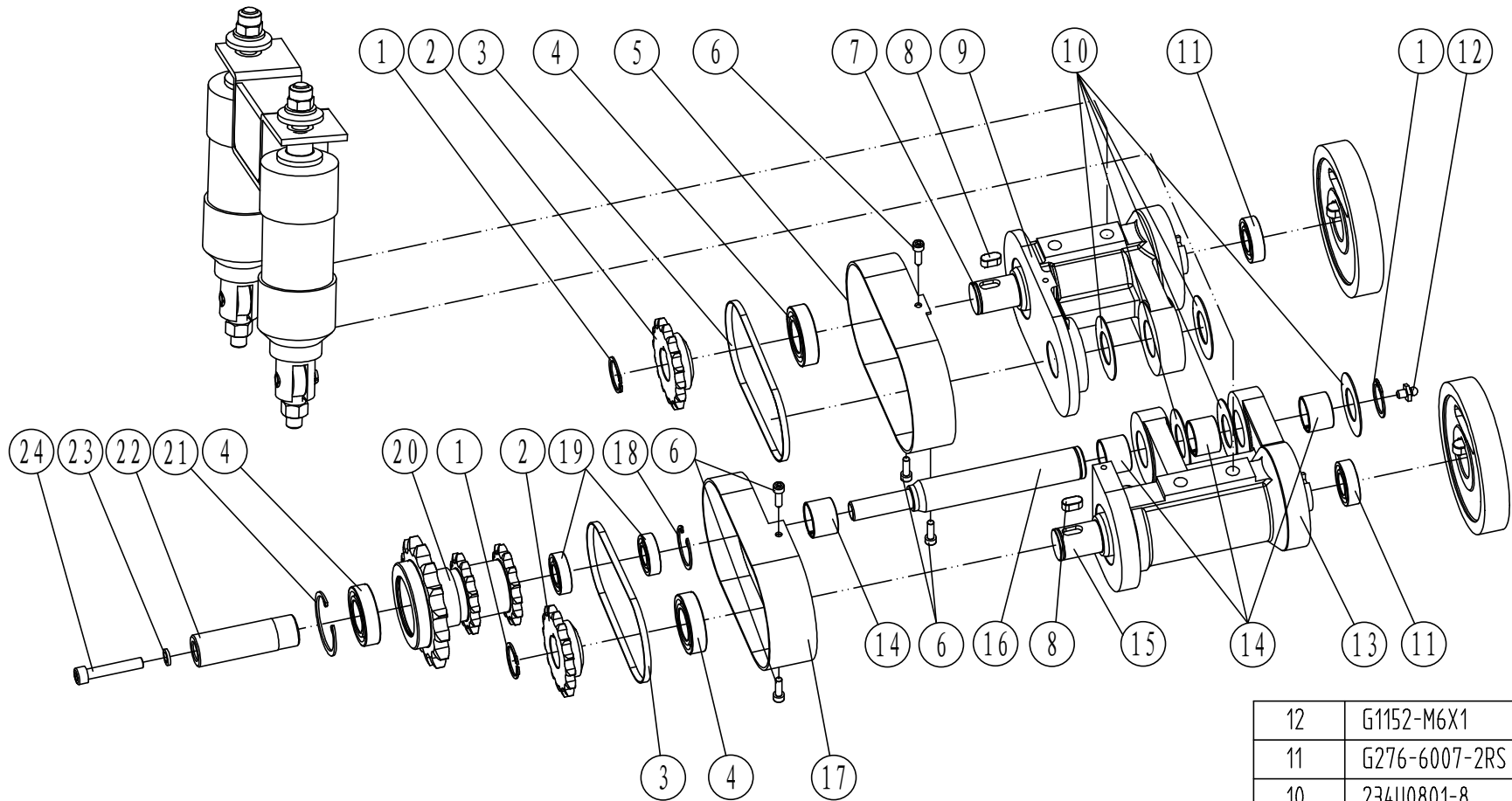
12	G276-6007-2RS	2
11	G1152-M6X1	1
10	234U0801-8	5
9	234U0801-3	1
8	G1096-8X16	2
7	234U0801-2	1
6	G70.1M5X16	5
5	234U0801-11	1
4	G276-6005-2RS	3
3	G1243.1-08B	2
2	234U0801-1	2
1	G894.1d25	3

234U0801
G230/4



16	G93M8	2
15	G97.1M8	2
14	G1096-10X20	2
13	234U0802-3	2
12	G77M8X8	2
11	G6170M12	2
10	G879-12X32	2
9	2011503-15	2
8	2011503-4	2
7	G97.1M12	4
6	2011503-5	2
5	20109-6	2
4	234U0801-12	1
3	H1707-M12X50	2
2	G6182M12	4
1	G70.1M8X20	2

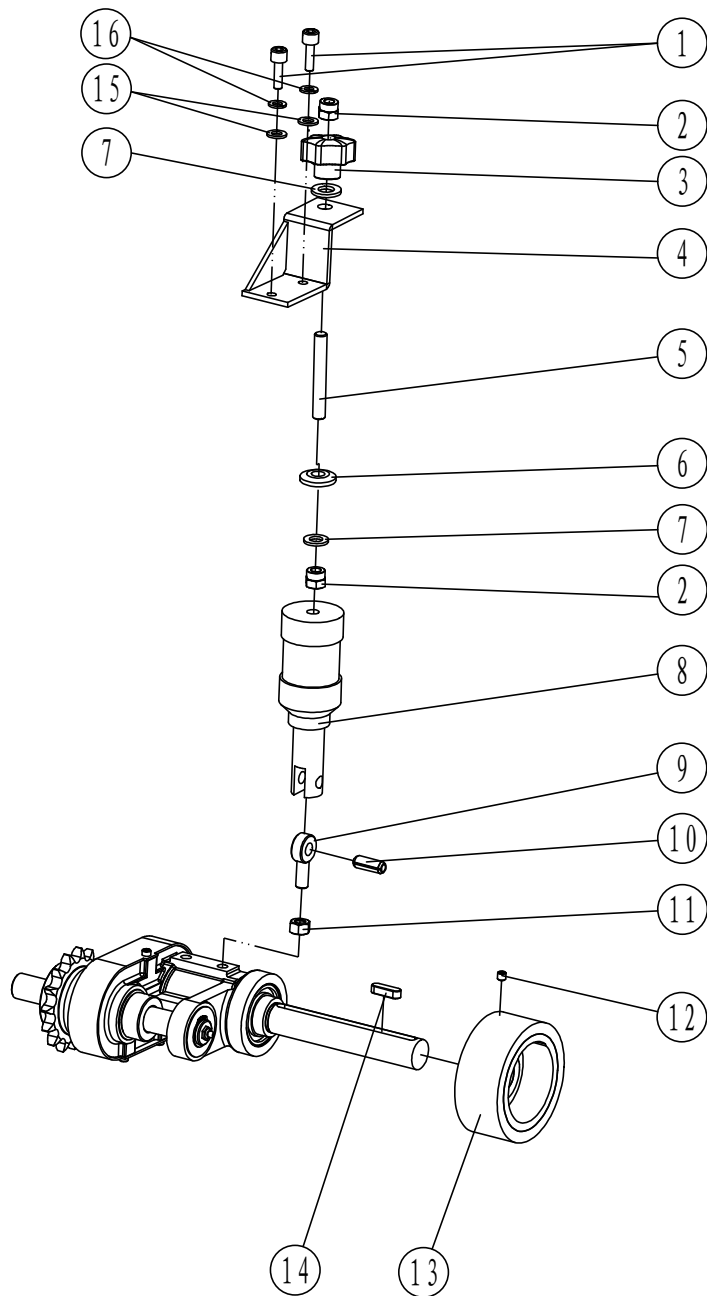
234U0802	
	G230/4



24	G70.1M8X45	1
23	G93M8	1
22	234U0801-9	1
21	G893.1D47	1
20	234U0801-5	1
19	G276-6002-2RS	2
18	G893.1D32	1
17	234U0801-10	1
16	234U0801-4	1
15	234U0802-2	1
14	CSB-10-2520	4
13	234U0801-6	1

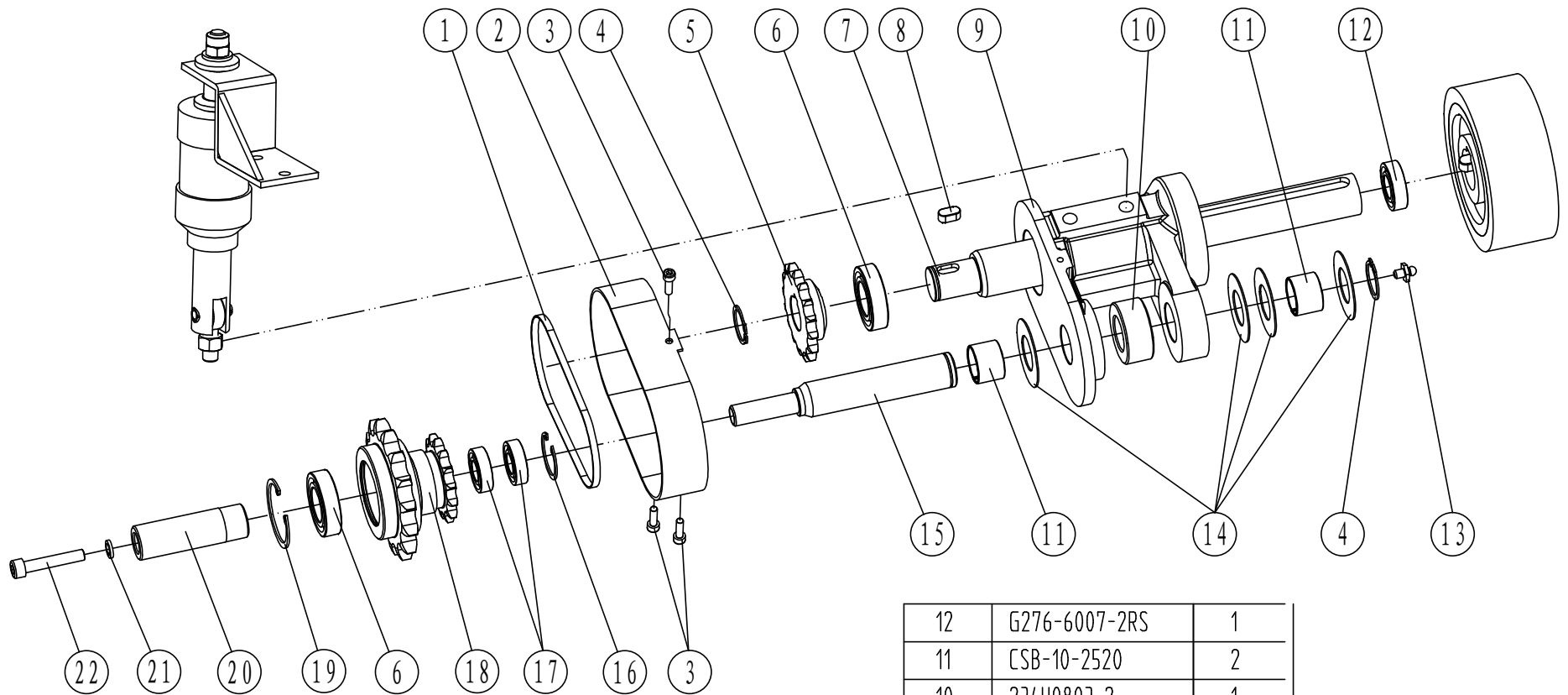
234U0802	
G230/4	

12	G1152-M6X1	1
11	G276-6007-2RS	2
10	234U0801-8	5
9	234U0801-3	1
8	G1096-8X16	2
7	234U0802-1	1
6	G70.1M5X16	5
5	234U0801-11	1
4	G276-6005-2RS	3
3	G1243.1-08B	2
2	234U0801-1	2
1	G894.1d25	3



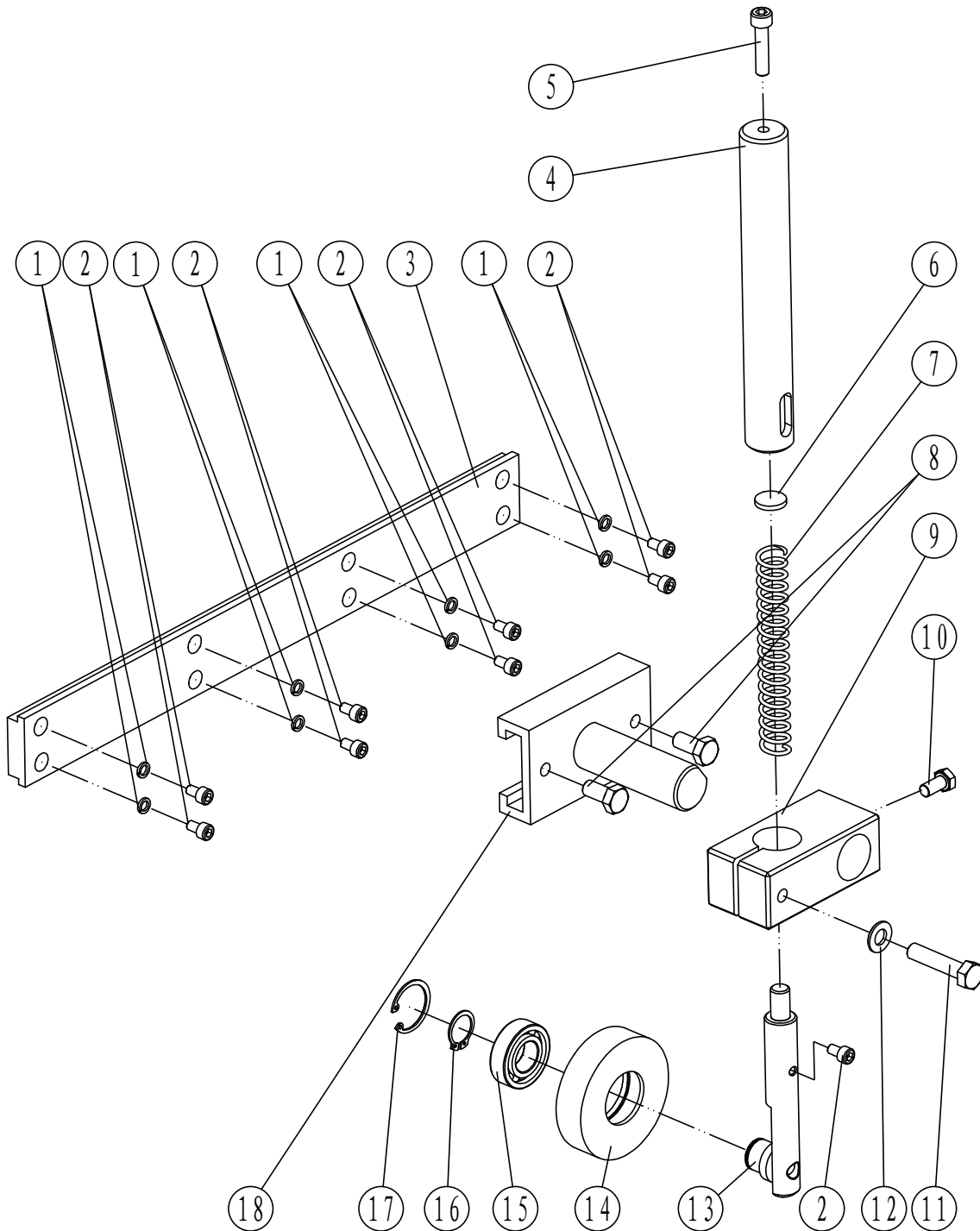
16	G93M8	2
15	G70.1M8	2
14	G1096-10X160	1
13	2020405-3	1
12	G77M8X8	1
11	G6170M12	1
10	G879-12X32	1
9	2011503-15	1
8	2011503-4	1
7	G97.1M12	2
6	2011503-5	1
5	20109-6	1
4	234U0803-1	1
3	H1707-M12X50	1
2	G6182M12	2
1	G70.1M8X20	2

234U0803	
	G230/4



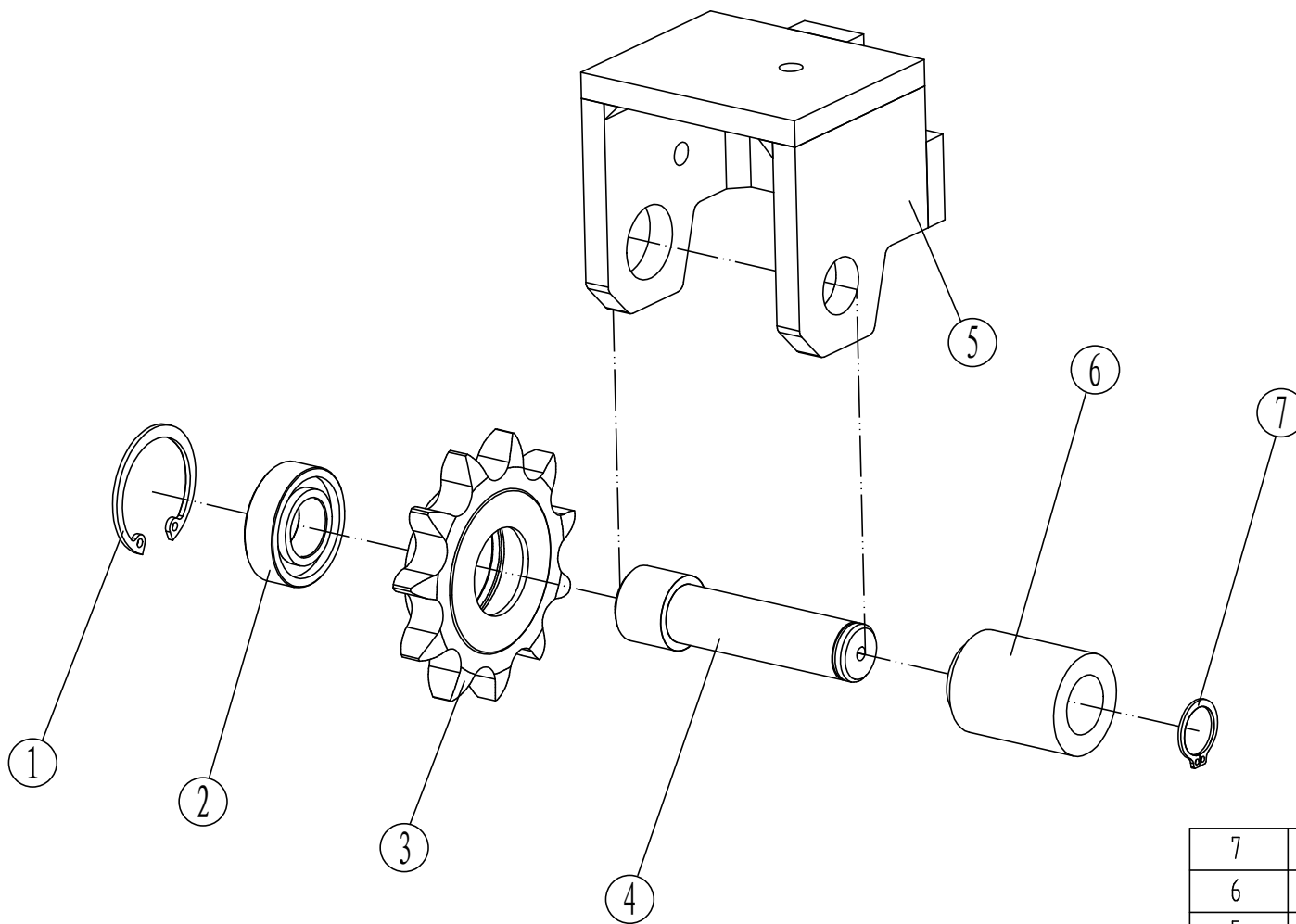
22	G70.1M8X45	1
21	G93M8	1
20	234U0801-9	1
19	G893.1D47	1
18	234U0803-4	1
17	G276-6002-2RS	2
16	G893.1D32	1
15	234U0803-3	1
14	234U0801-8	4
13	G1152-M6X1	1

12	G276-6007-2RS	1
11	CSB-10-2520	2
10	234U0803-2	1
9	234U0801-3	1
8	G1096-8X16	1
7	234U0801-2	1
6	G276-6005-2RS	2
5	234U0801-1	1
4	G894.1d25	2
3	G70.1M5X16	3
2	234U0801-11	1
1	G1243.1-08B	1
234U0803		
	G230/4	



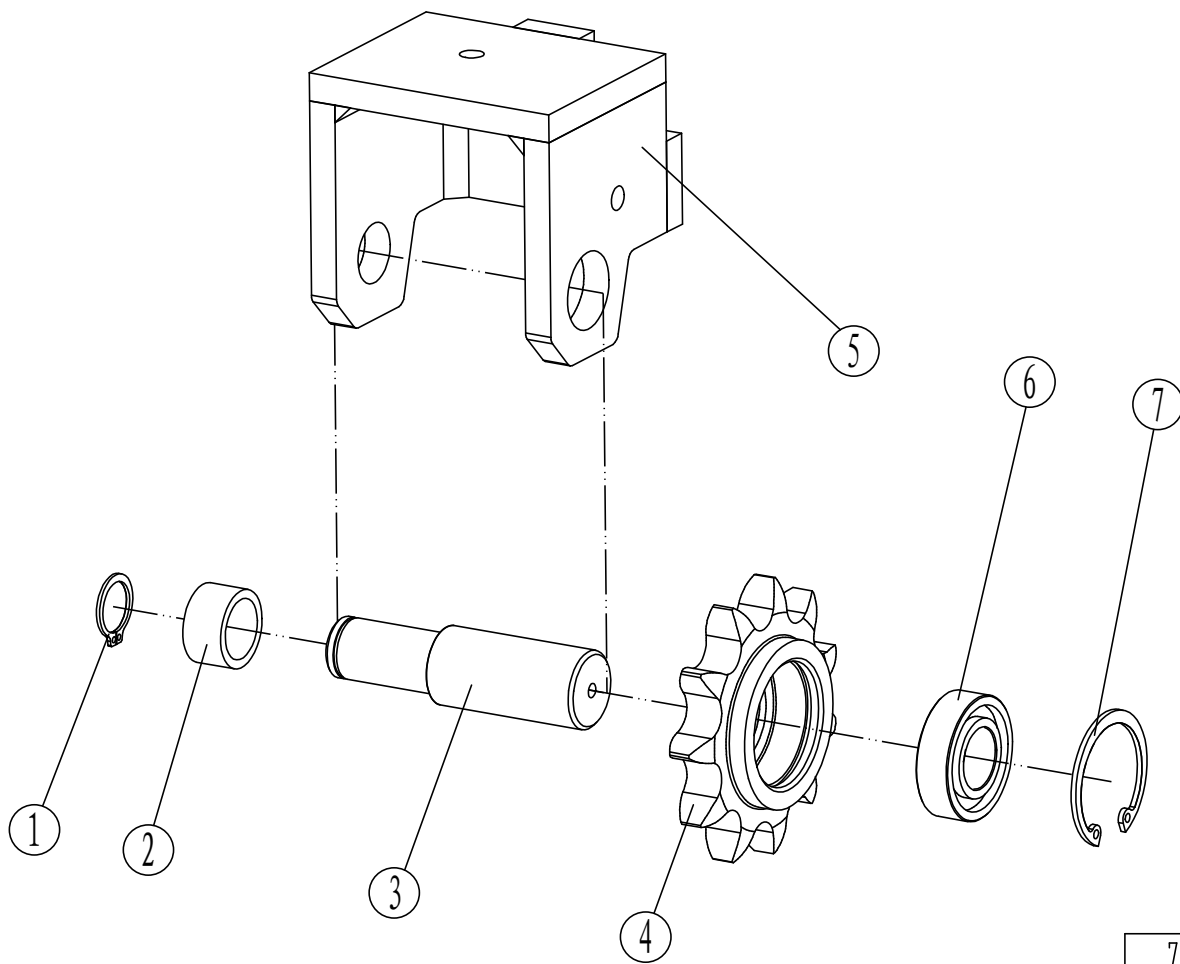
18	234U0804-2	1
17	G893.1D42	1
16	G894.1d20	1
15	G276-6004-2RS	1
14	2011504-14	1
13	202040301	1
12	G97.2M10	1
11	G5782M10X40	1
10	G5783M8X16	1
9	234U0804-3	1
8	G5783M10X20	2
7	2020403-2	1
6	2020403-3	1
5	G70.1M8X35	1
4	2020403-7	1
3	234U0804-1	1
2	G70.1M6X10	9
1	G93M6	8

234U0804	
	G230/4



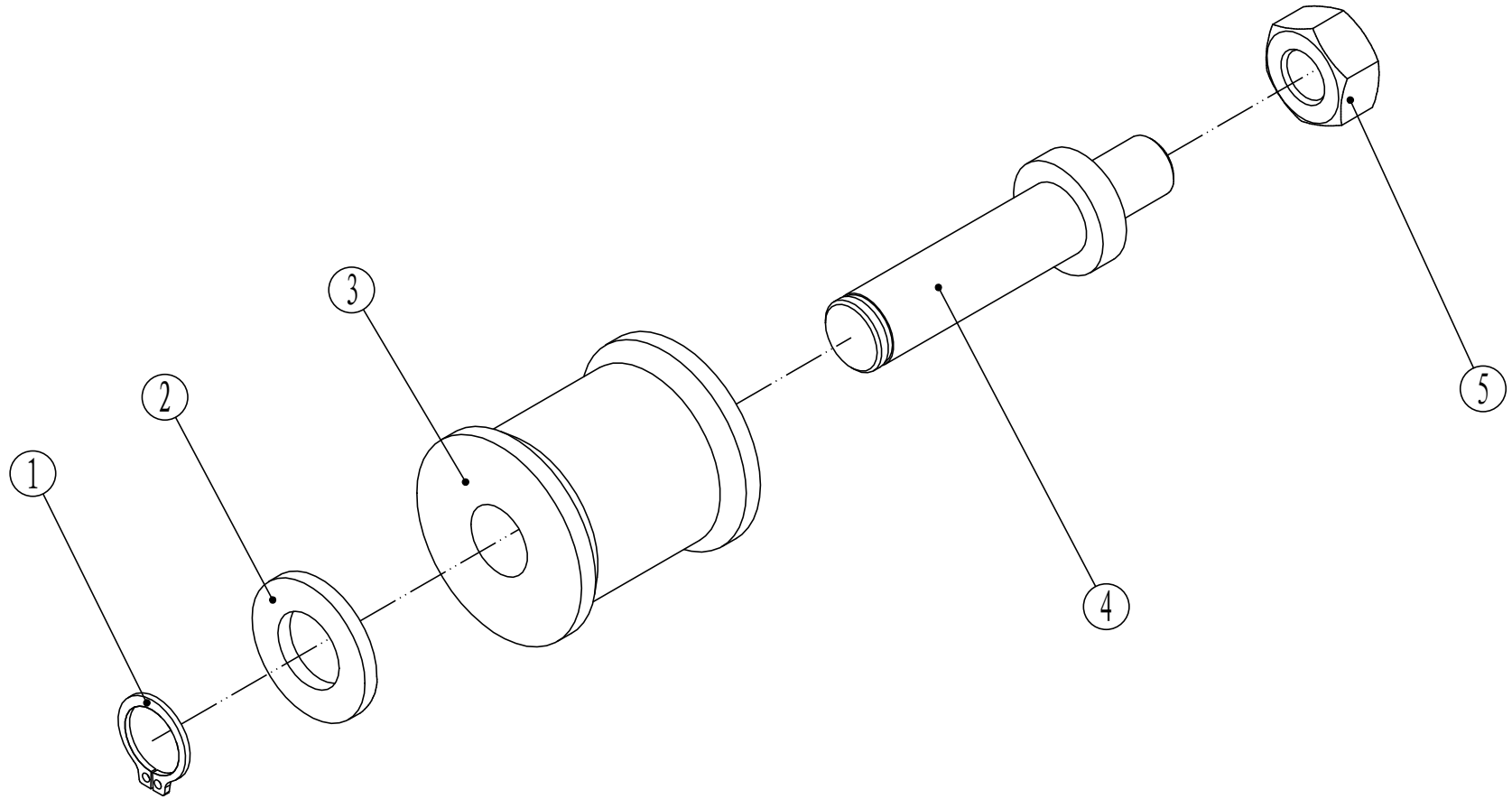
7	G894.1d17	1
6	234U0806-4	1
5	234U0806-1	1
4	234U0806-2	1
3	234U0806-3	1
2	G276-6003-2RS	1
1	G893.1D35	1

234U0806			
	G230/4		



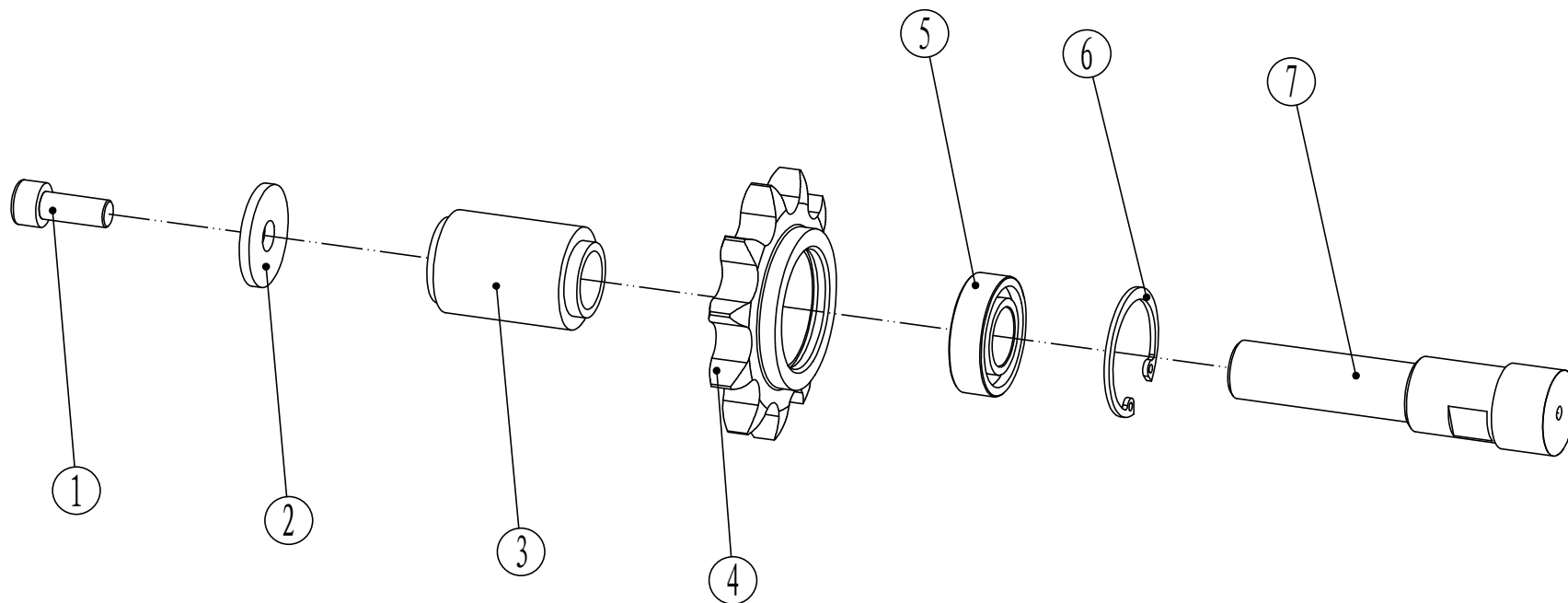
7	G893.1D35	1
6	G276-6003-2RS	1
5	234U0807-1	1
4	234U0806-3	1
3	234U0807-3	1
2	234U0807-2	1
1	G894.1d17	1

234U0807		
	G230/4	



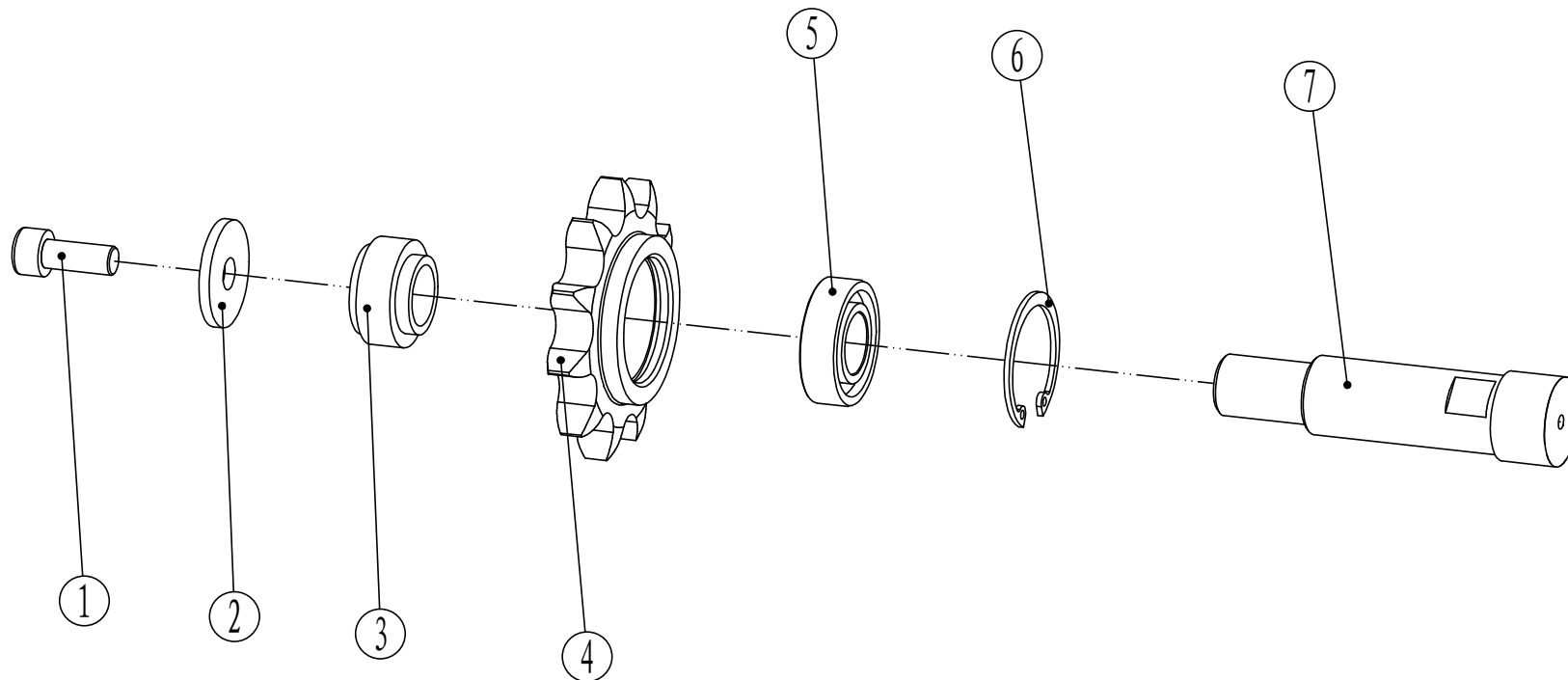
234U0808	
	G230/4

5	G6170M10	1
4	234U0808-2	1
3	234U0808-1	1
2	G97.1M12	1
1	G893.1d12	1



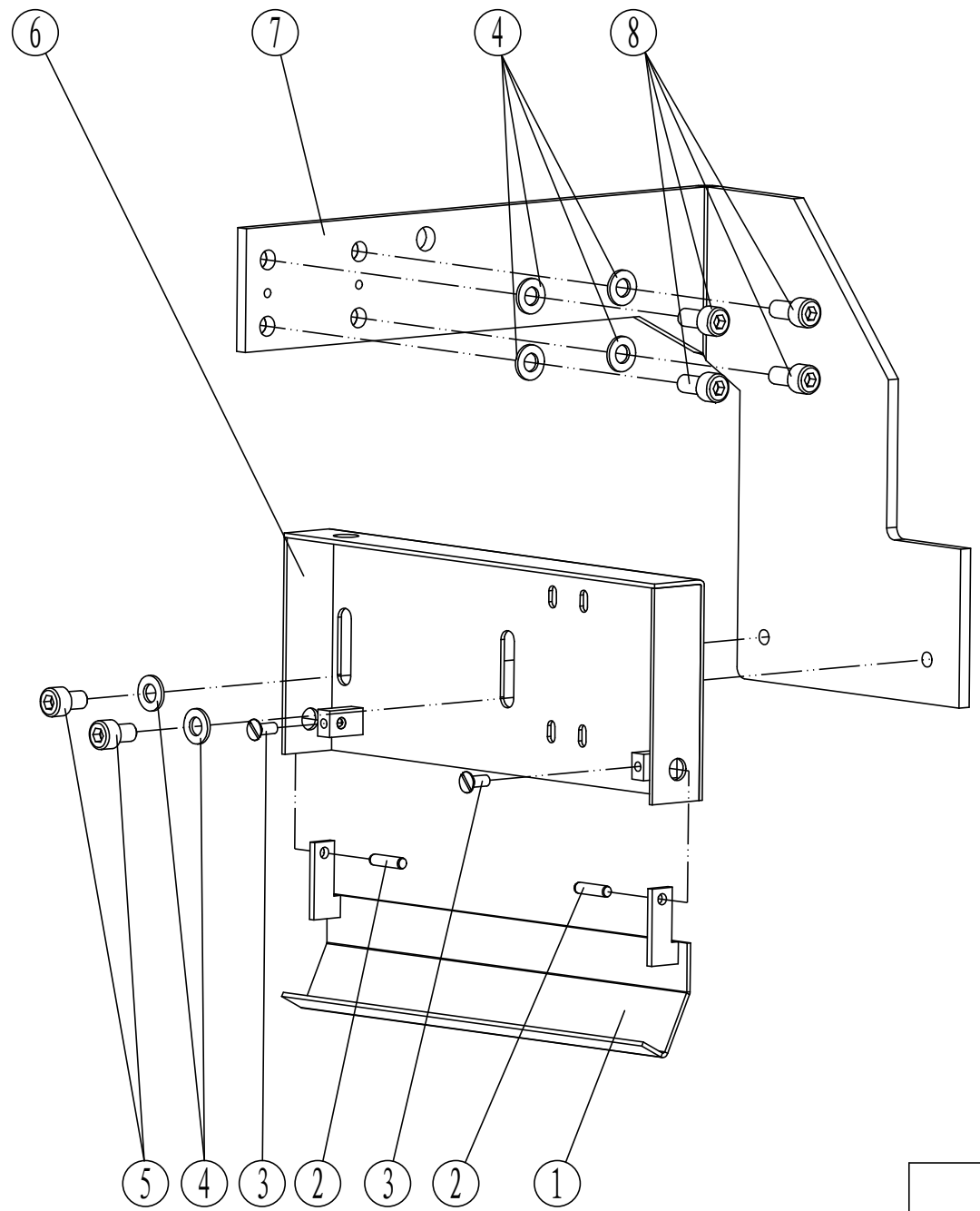
7	234U0809-3	1
6	G893.1035	1
5	G276-6003-2RS	1
4	234U0806-3	1
3	234U0809-2	1
2	234U0809-1	1
1	G70.1M8X20	1

234U0809			
	G230/4		



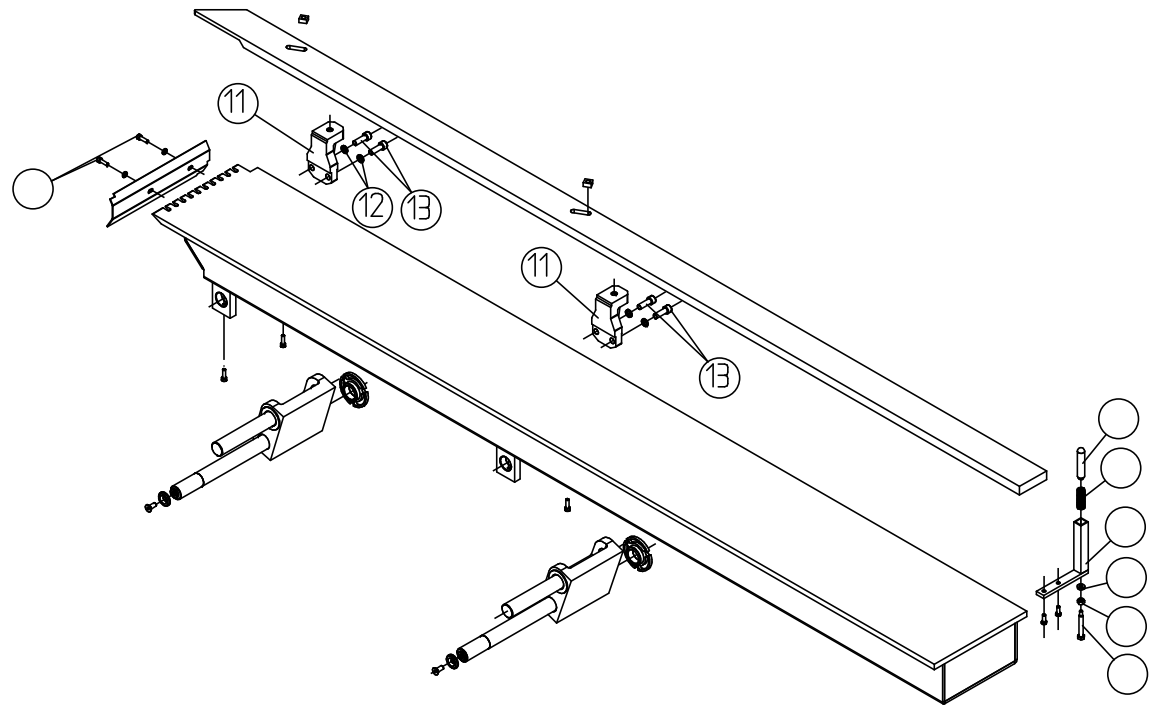
7	234U0810-1	1
6	G893.1D35	1
5	G276-6003-2RS	1
4	234U0806-3	1
3	234U0810-2	1
2	234U0809-1	1
1	G70.1M8X20	1

234U0810	
	G230/4

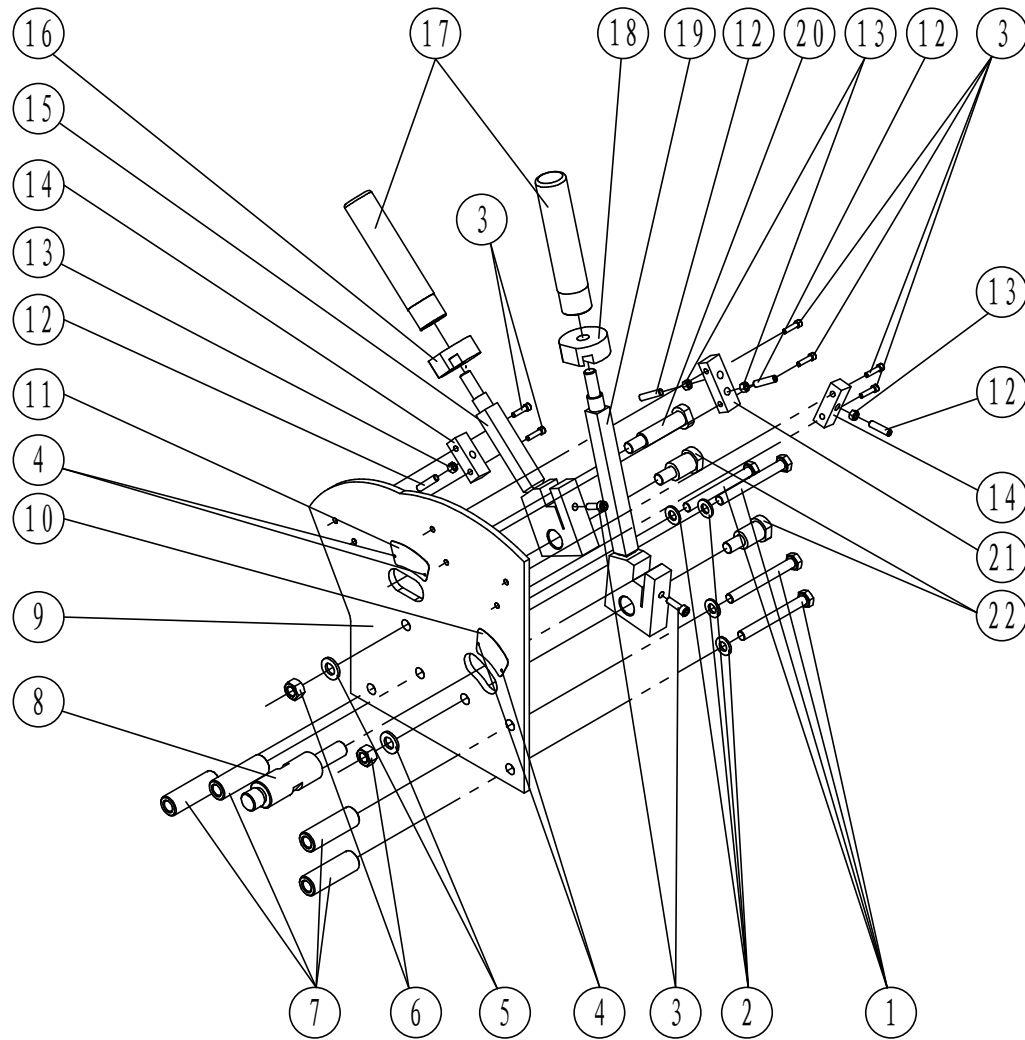


234U0813
G230/4

8	G70.1M8X16	4
7	234U0813-1	1
6	234U0813-2	1
5	G70.1M8X12	2
4	G97.1M8	6
3	G68M5X12	2
2	G119A5X20	2
1	234U0813-3	1

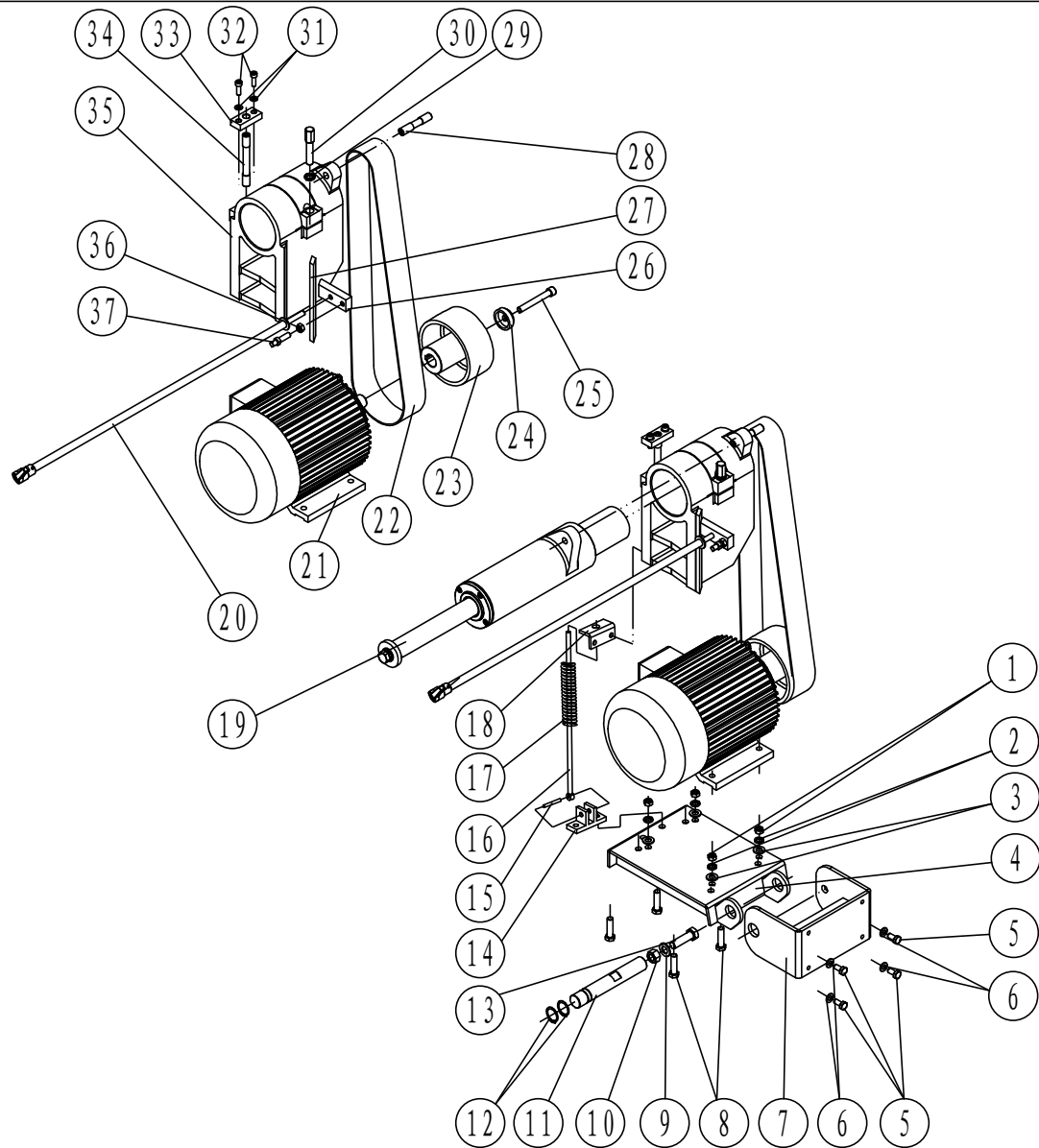


234U02



22	234U02-12	2
21	234U02-26	1
20	234U02-11	1
19	234U0203	1
18	234U02-28	1
17	234U02-23	2
16	234U02-15	1
15	234U0202	1
14	23302-2	2
13	G6170M8	4
12	G77M8X40	4
11	234U02-25	1
10	234U02-24	1
9	234U02-8	1
8	234U02-4	1
7	234U02-10	4
6	G6170M12	2
5	G97.2M12	2
4	G827 3X10	4
3	G70.1M6X20	8
2	G97.1M10	4
1	G70.1M10X90	4

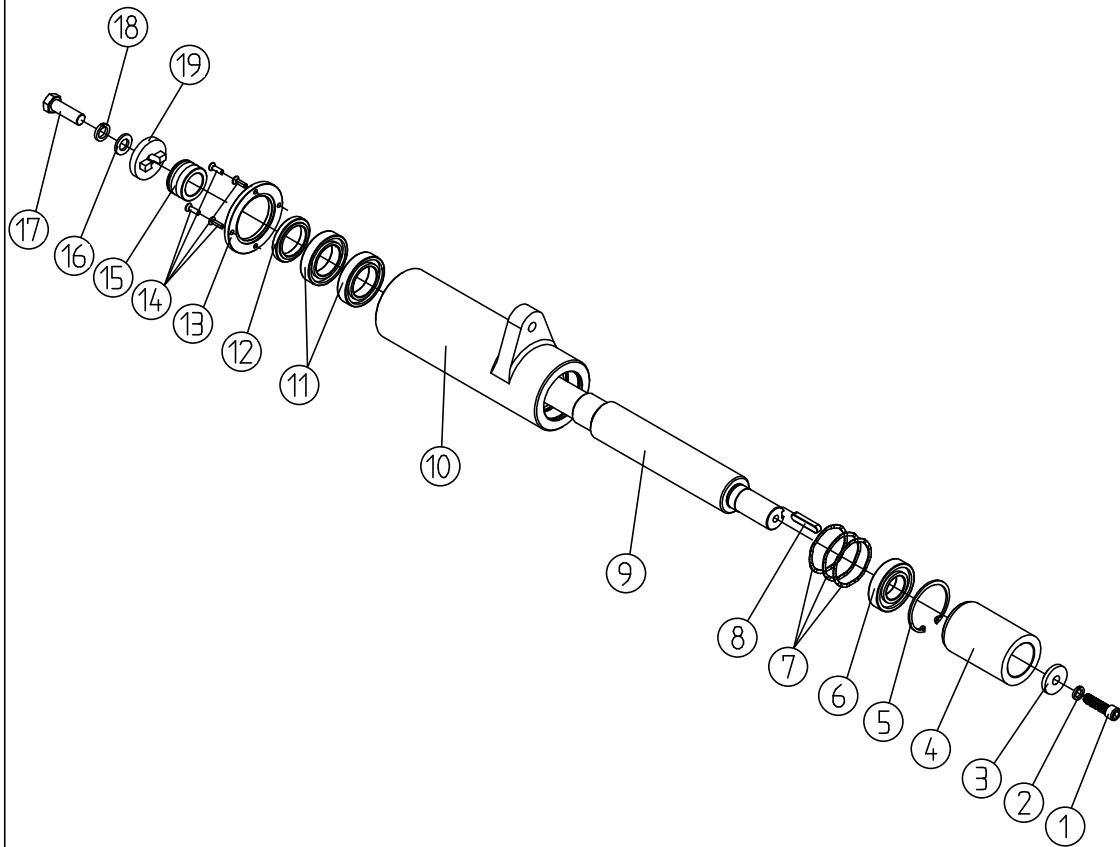
234U02	
	G230/4



31	G97.1M8		2
30	234U03-2		1
29	234U03-3		1
28	234U03-4		1
27	234U03-9		1
26	234U03-7		1
25	G70.1M12X35		1
24	20205-15		1
23	20205-10P1		1
22	H1904-3X63X1485		1
21	Y112M-2-B3		1
20	234U0302		1
19	234U0301		1
18	234U06-11		1
17	G2089-Y13.5×16.5×7×98		1
16	234U03-12		1
15	G117A8x30		1
14	234U03-11		1
13	G5783M16X55		1
12	G894.1d30		2
11	234U03-10		1
10	G6170M16		1
9	G97.1M16		1
8	G5783M12X45		4
7	234U0303		1
6	G96M10		4
5	G5783M10X20		4
4	234U0304		1
3	G97.1M12		4
2	G93M12		4
1	G6170M12		4

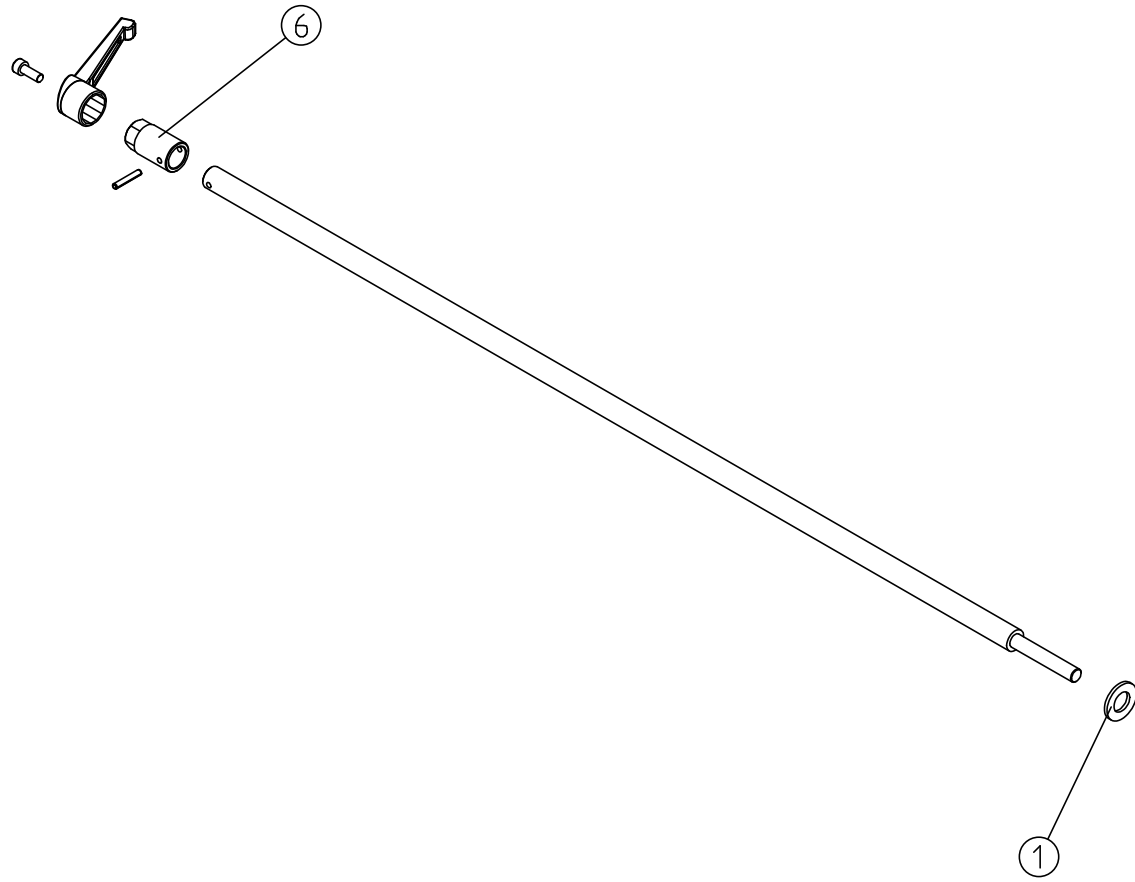
37	234U03-8	1
36	G6170M10	1
35	234U03-1	1
34	234U03-5	1
33	234U03-6	1
32	G70.1M8X25	2

234U03		G230/4	



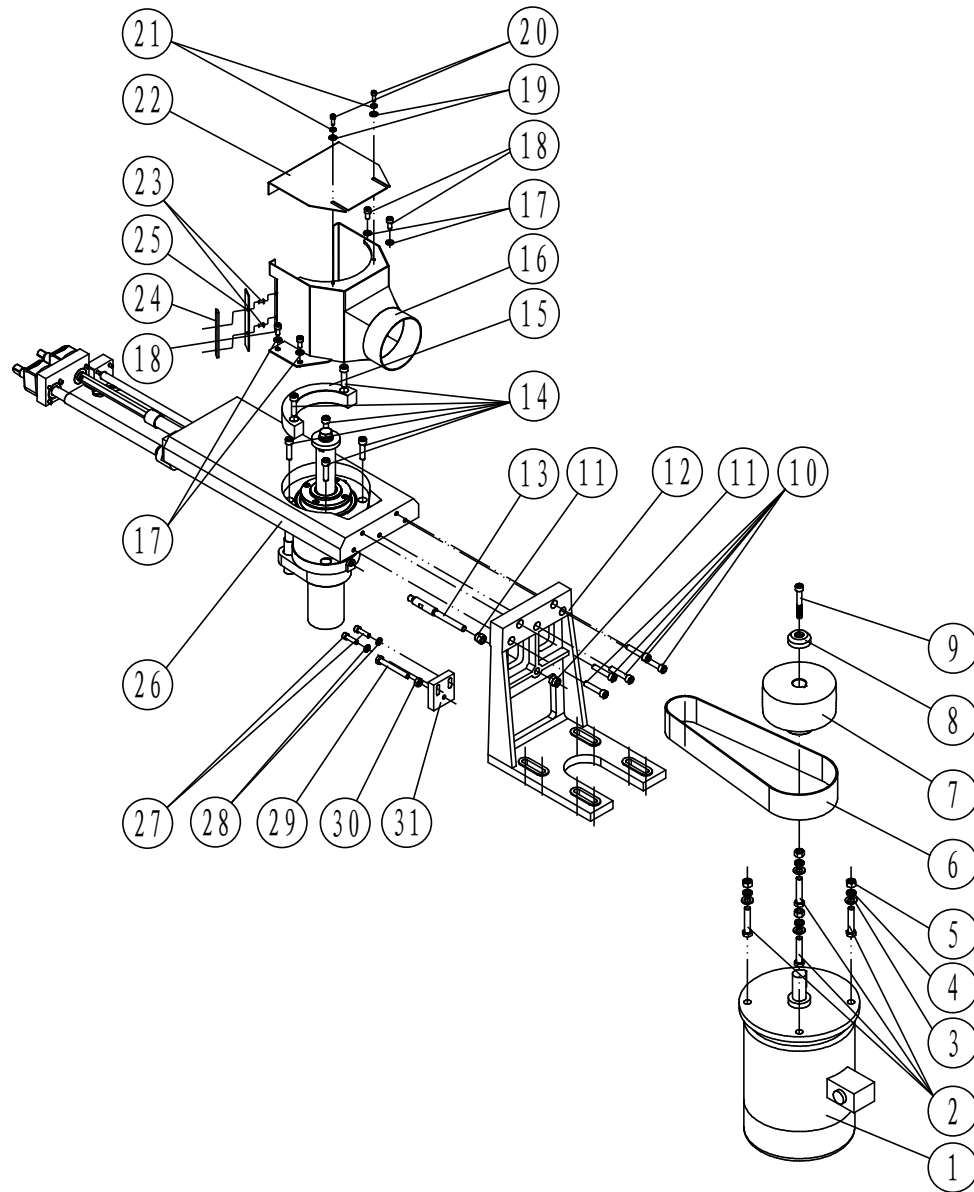
19	234U0301-6	1
18	G93M16	1
17	G5783M16X50	1
16	G97.1M16	1
15	234U0301-7	1组
14	G2673M6X20	4
13	234U0301-4	1
12	234U0301-5	1
11	G276-6009-2Z	2
10	234U0301-2	1
9	234U0301-1	1
8	G1096-C10X56	1
7	H2201- ϕ 71X0.6	3
6	G276-6207-2Z	1
5	G893.1D72	1
4	234U0301-3	1
3	2010401-1D	1
2	G93M12	1
1	G70M12X45	1

234U0301	
	G230/4



234U0302	

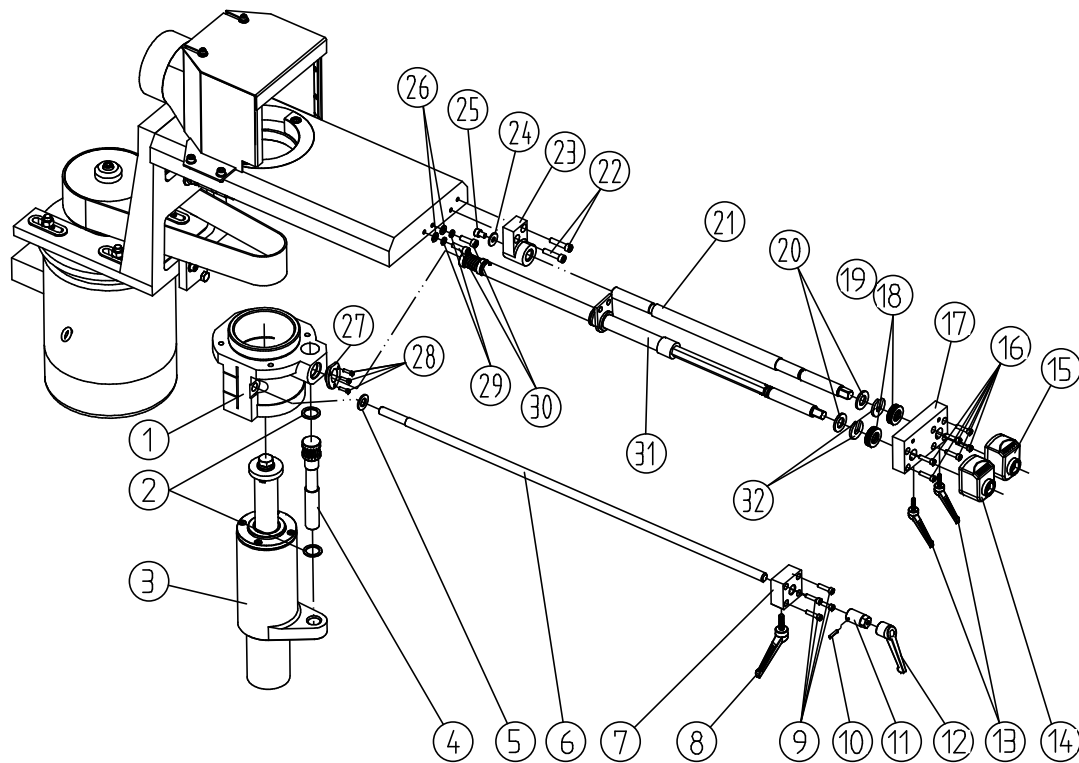




28	G97.1M8	2
27	G70.1M8X30	2
26	234U04-1	1
25	234U04-12	1
24	234U04-11	1
23	G70.2M4X10	2
22	234U04-9	1
21	G93M8	2
20	G70.1M6X20	2
19	G97.1M8	2
18	G70.1M8X16	4
17	G97.1M8	4
16	234U04-10	1
15	234U04-2	1
14	G70.1M10X40	6
13	234U04-3	1
12	234U04-4	1
11	G6182M12	2
10	G70.1M10X50	5
9	G70.1M12X35	1
8	234U03-11	1
7	20205-10P1	1
6	H1904-3X63X1030	1
5	G6170M12	4
4	G93M12	4
3	G97.1M12	4
2	10308-21	4
1	Y112M-2-B5	1

31	234U04-16	1
30	G6170M10	1
29	G5783M10X80	1

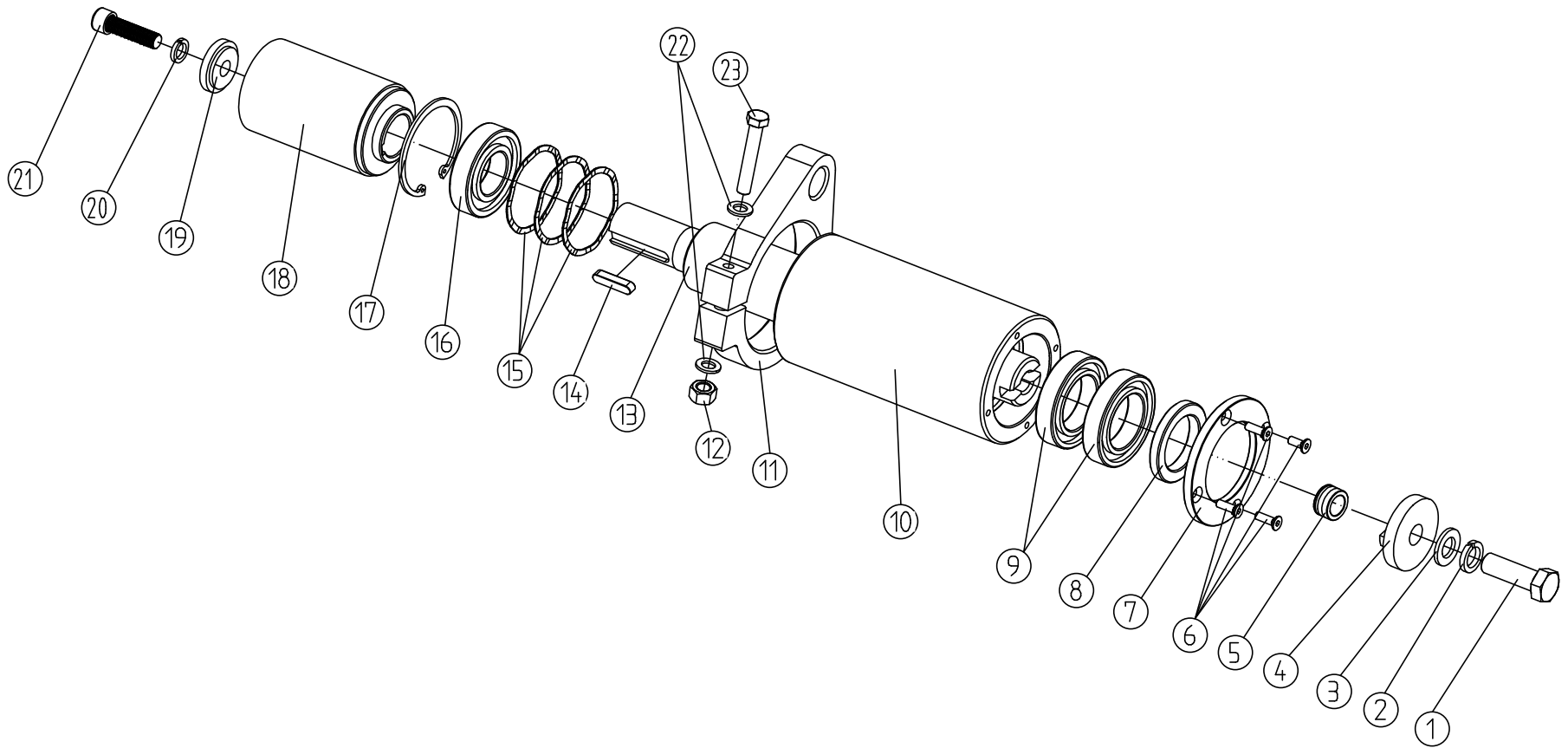
234U04	
G230/4	



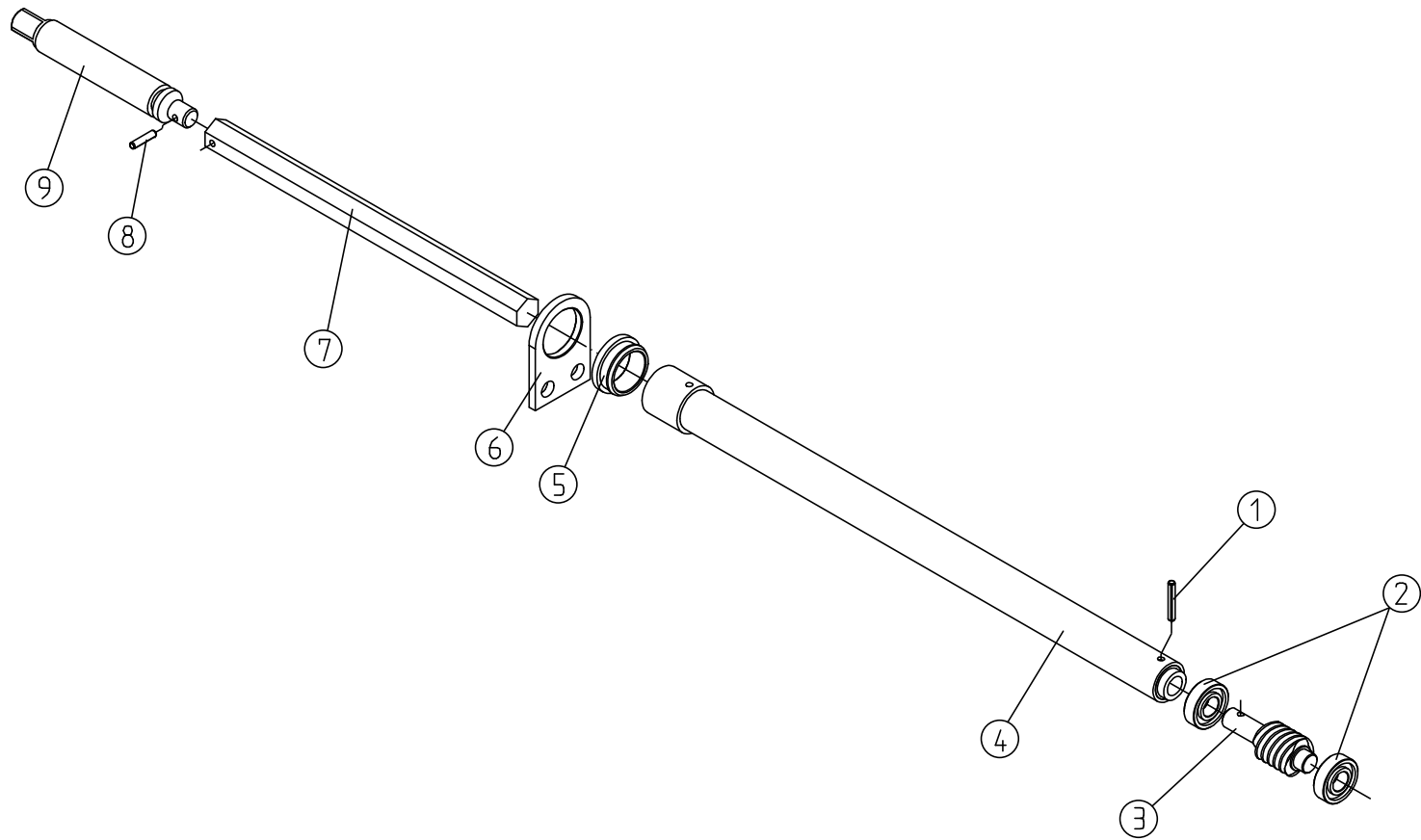
29	G93M8		2
28	G70.1M5X16		3
27	234U04-19		1
26	G97.1M8		2
25	G70.1M8X20		1
24	G96M8		1
23	234U04-5		1
22	G70.1M8X40		2
21	234U04-6		1
20	234U0501-4		2
19	G4605 AS2035		4
18	G4605 AXK2035		2
17	234U04-13		1
16	G70.1M6X20		6
15	DY0912B-4.0-E-20-0-B		1
14	DY0912B-0.5-I-20-0-B		1
13	H1702-BM6X45X70		2
12	H1701-114		1
11	234U0302-2		1
10	G879.1-4X22		1
9	G70.1M6X20		4
8	H1702-BM8X63X25		1
7	234U04-14		1
6	234U04-8		1
5	G96M14		1
4	234U04-17		1
3	234U0401		1
2	234U04-15		2
1	234U04-7		1

32	234U0501-3	2
31	234U0402	1
30	G70.1M8X30	2

234U04			
	G230/4		

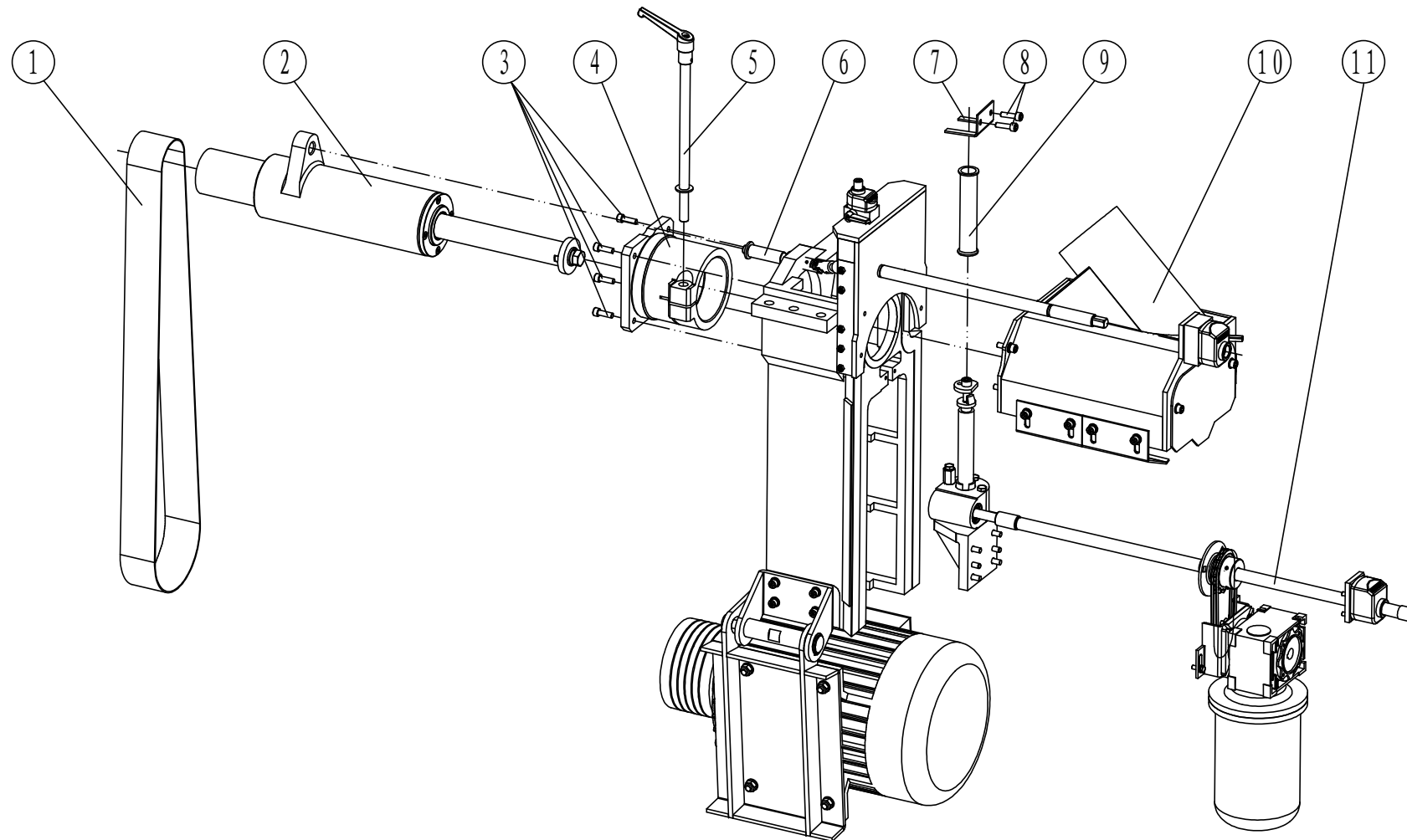


23	G5783M10X80	1	10	234U0401-2	1
22	G97.1M10	2	9	G276-6009-2Z	2
21	G70M12X45	1	8	234U0301-5	1
20	G93M12	1	7	234U0301-4	1
19	2010401-1D	1	6	G2673M6X20	4
18	234U0301-3	1	5	234U0301-7	1组
17	G893.1D72	1	4	234U0301-6	1
16	G276-6207-2Z	1	3	G97.1M16	1
15	H2201-φ71X0.6	3	2	G93M16	1
14	G1096-C10X56	1	1	G5783M16X50	1
13	234U0401-1	1			
12	G6170M10	1	234U0401		
11	234U0401-3	1		G230/4	

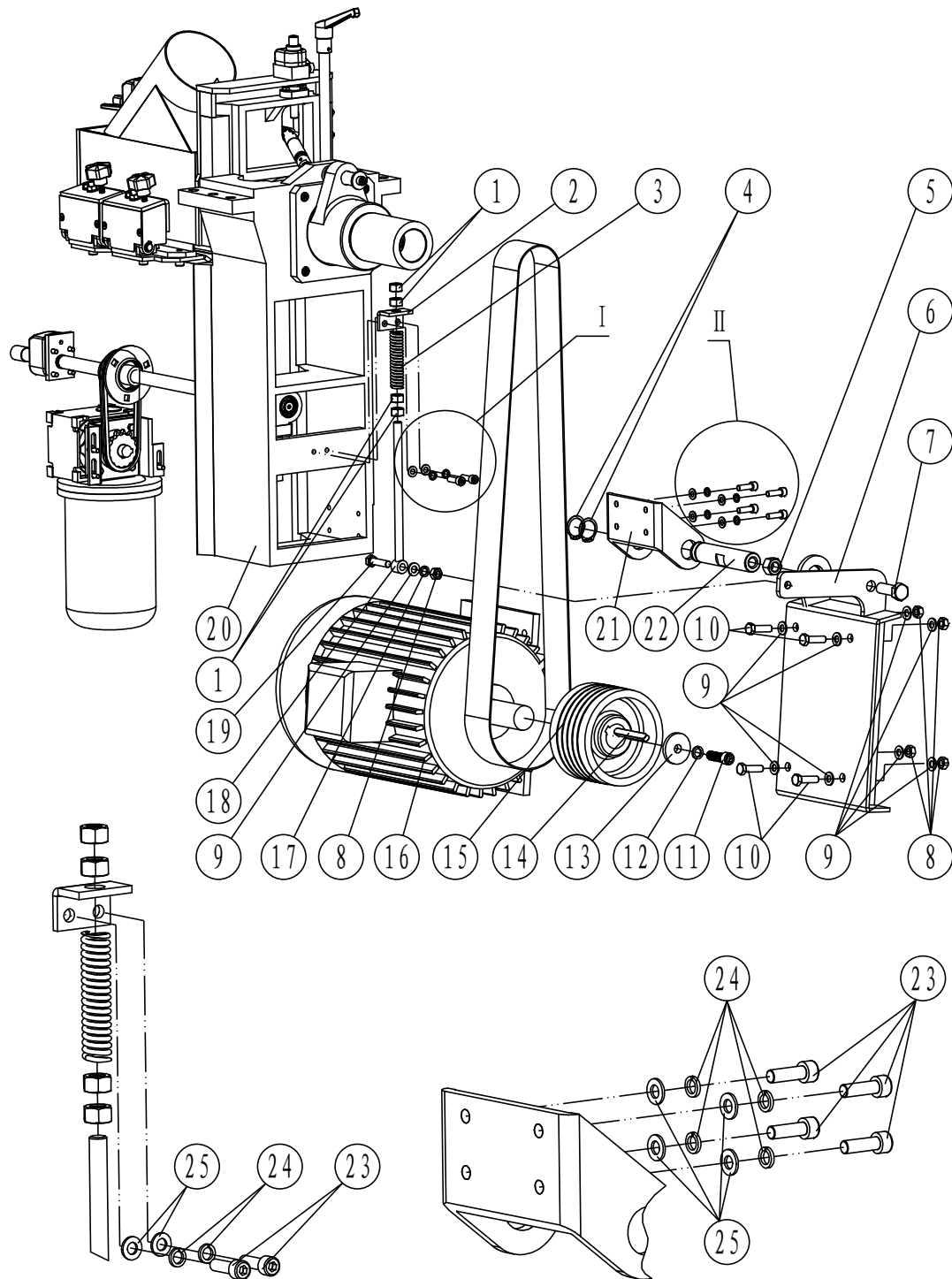


9	234U0402-3	1
8	G879.1-4X18	1
7	234U040201	1
6	234U0402-1	1
5	234U0402-4	1
4	234U0402-2	1
3	234U0402-5	1
2	G276-6001-2RS	2
1	G879.1-4X26	1

234U0402		
	G230/4	

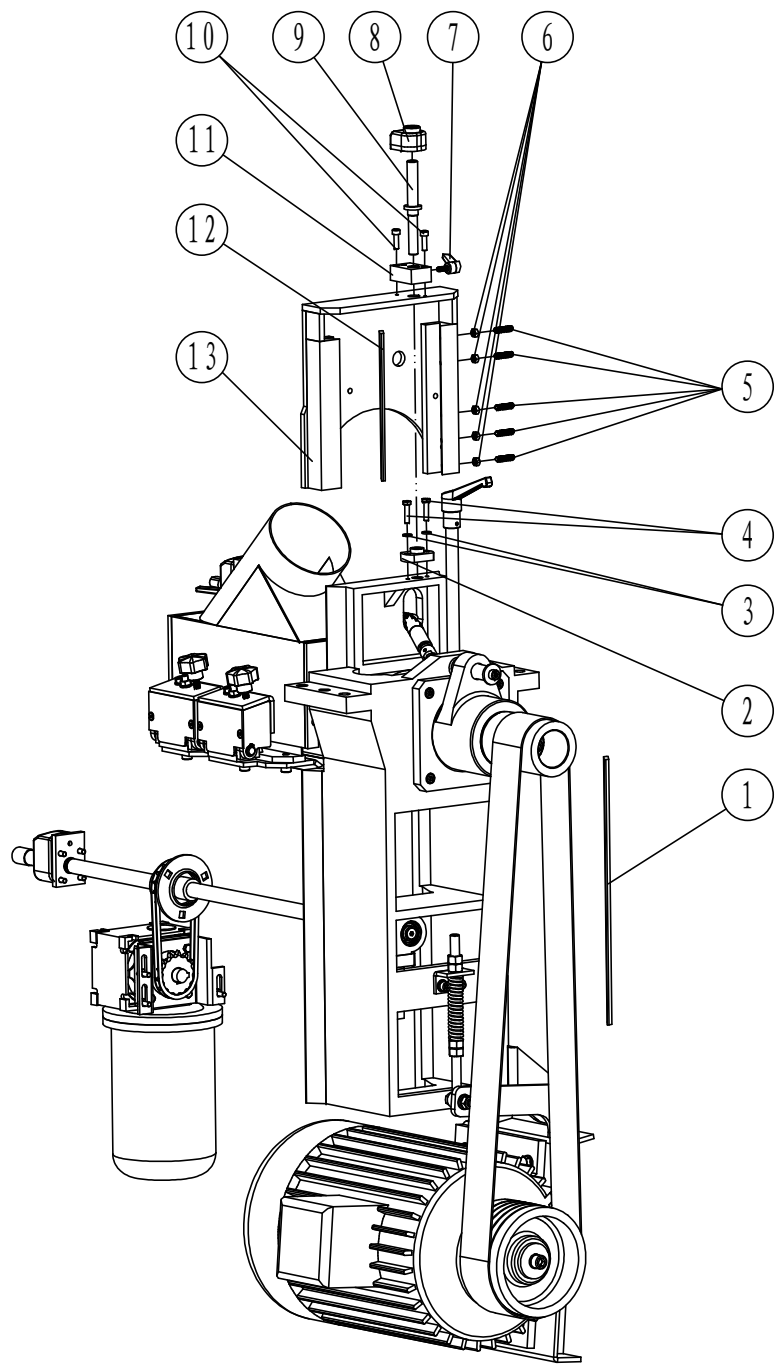


11	234U0605	1	4	234U06-5	1
10	234U0604	1	3	G70.1M8X25	4
9	234U06-12	1	2	234U0601	1
8	G70.1M6X20	2	1	H1904-3X63X1745	1
7	234U06-13	1	234U06		
6	234U0603	1			
5	234U0602	1			

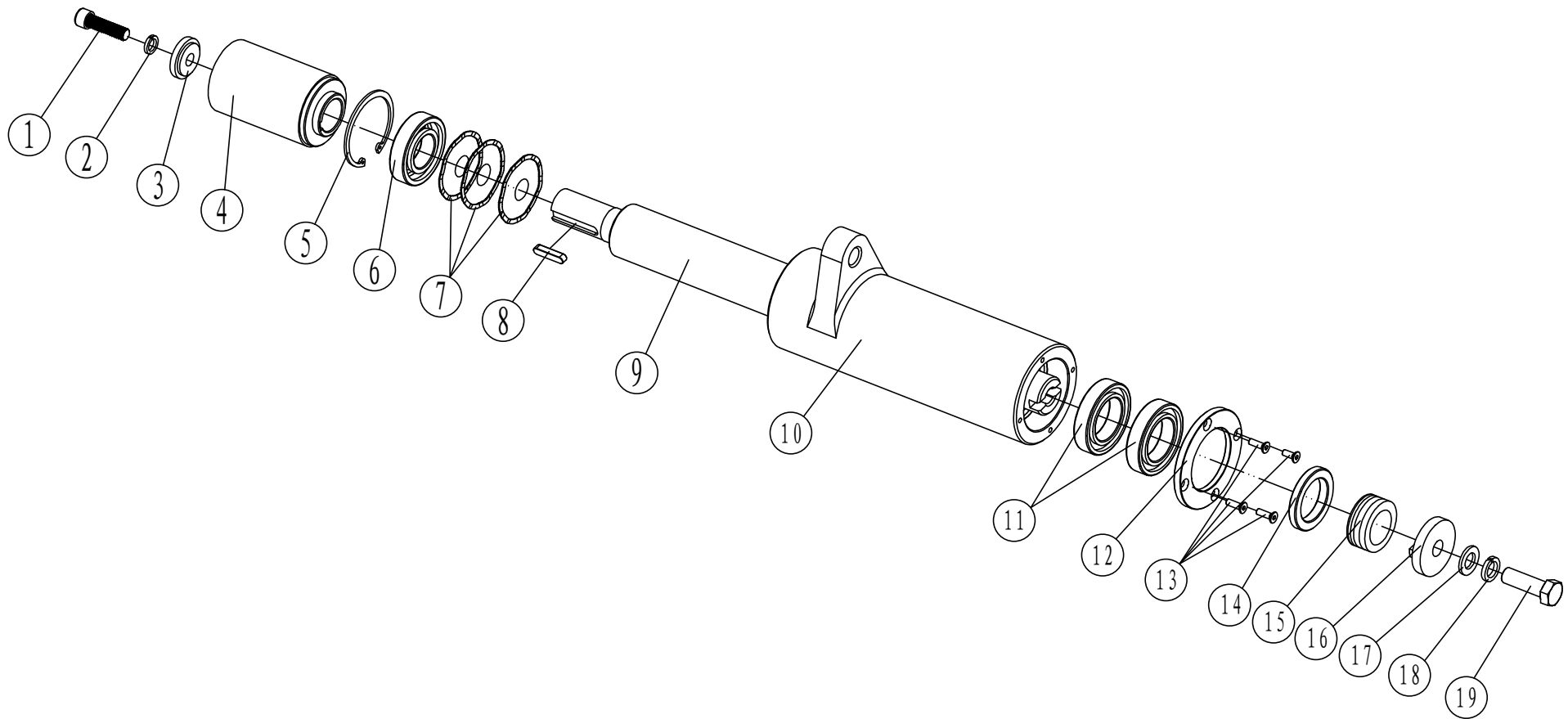


25	G97.1M8		6
24	G93M8		6
23	G70.1M8X25		6
22	234U06-2		1
21	234U06-3		1
20	234U06-3		1
19	G5783M10X40		1
18	234U06-4		1
17	G93M10		1
16	Y132S2-2-B3		1
15	20104-8P1		1
14	G1096-10X100		1
13	20104-5		1
12	G93M12		1
11	G70.1M12X40		1
10	G5783M10X35		4
9	G97.1M10		9
8	G6170M10		5
7	G5783M16X45		1
6	234U0606		1
5	G6170M16		1
4	G894.1d30		2
3	G2089-Y13.5X16.5X7X98		1
2	234U06-11		1
1	G6170M12		4

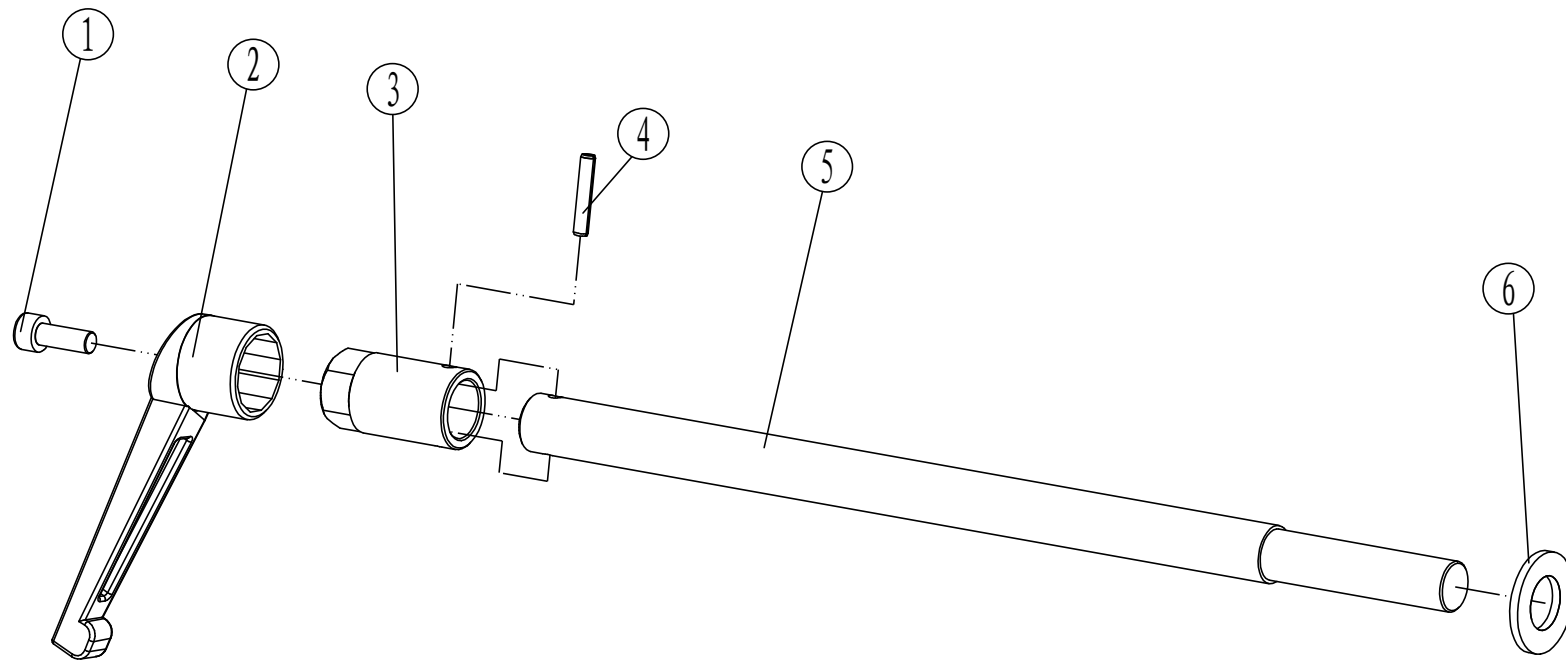
234U06			
	G230/4		



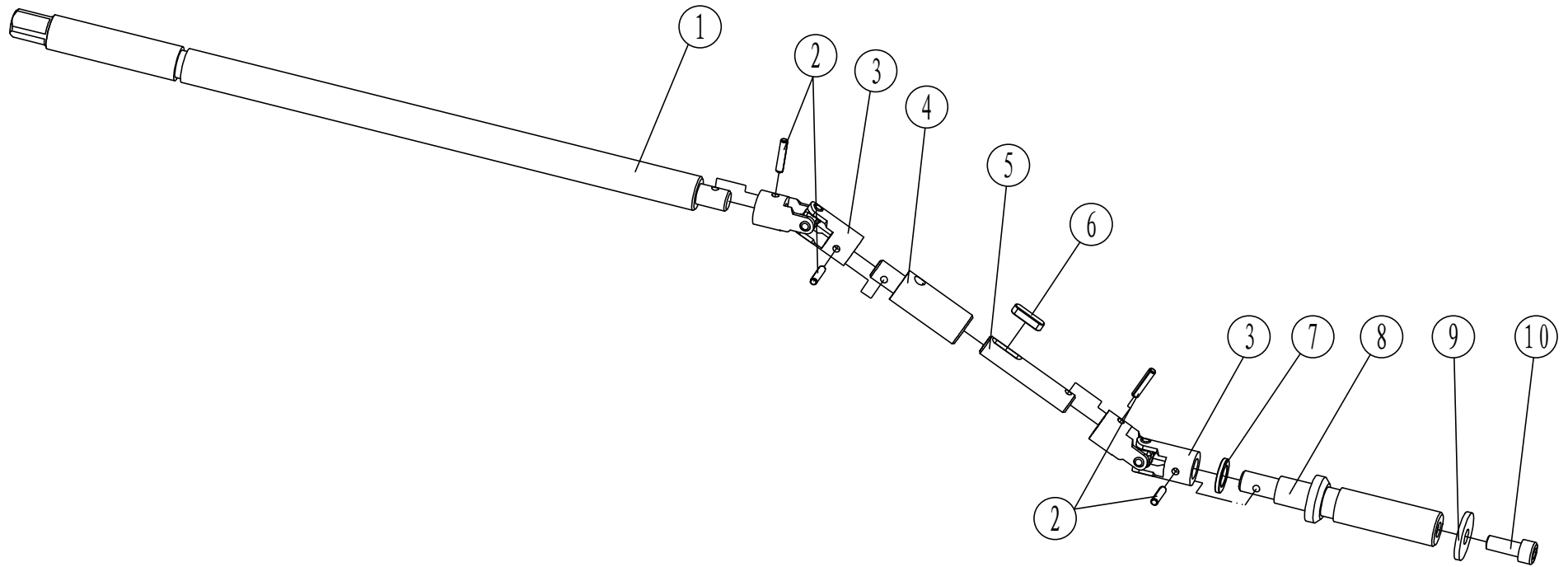
13	234U0607	1
12	234U06-6	1
11	234U06-8	1
10	G70.1M6X20	2
9	234U06-9	1
8	DY0414-1.5-E-14-0-A	1
7	H1702-BM6X50X20	1
6	G6170M6	5
5	G78M6X30	5
4	G5783M6X25	2
3	G97.1M6	2
2	234U06-10	1
1	234U06-1	1
234U06		
	G230/4	



19	G5783M16X50	1	9	234U0601-1	1
18	G93M16	1	8	G1096-10X56	1
17	G97.1M16	1	7	H2201- ϕ 71X0.6	3
16	234U0301-6	1	6	G276-6207-2Z	1
15	234U0301-7	1组	5	G893.1D72	1
14	234U0301-5	1	4	234U0301-3	1
13	G2673M6X20	4	3	2010401-1D	1
12	234U0301-4	1	2	G93M12	1
11	G276-6009-2Z	2	1	G70.1M12X45	1
10	234U0601-2	1			
			234U0601		
			G230/4		



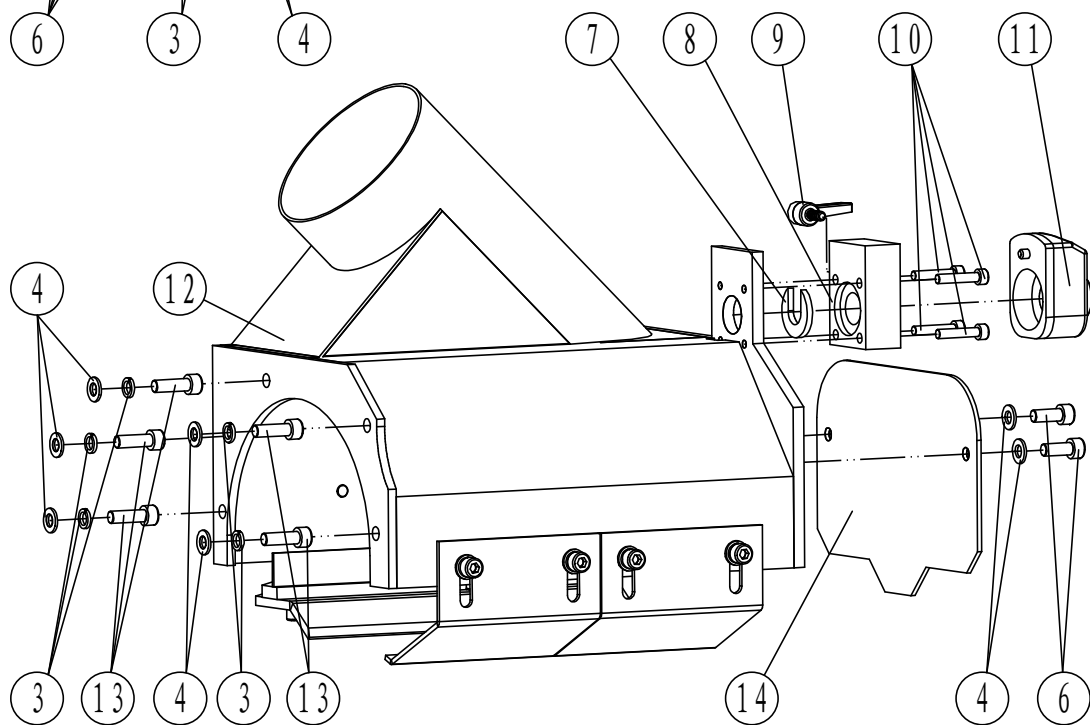
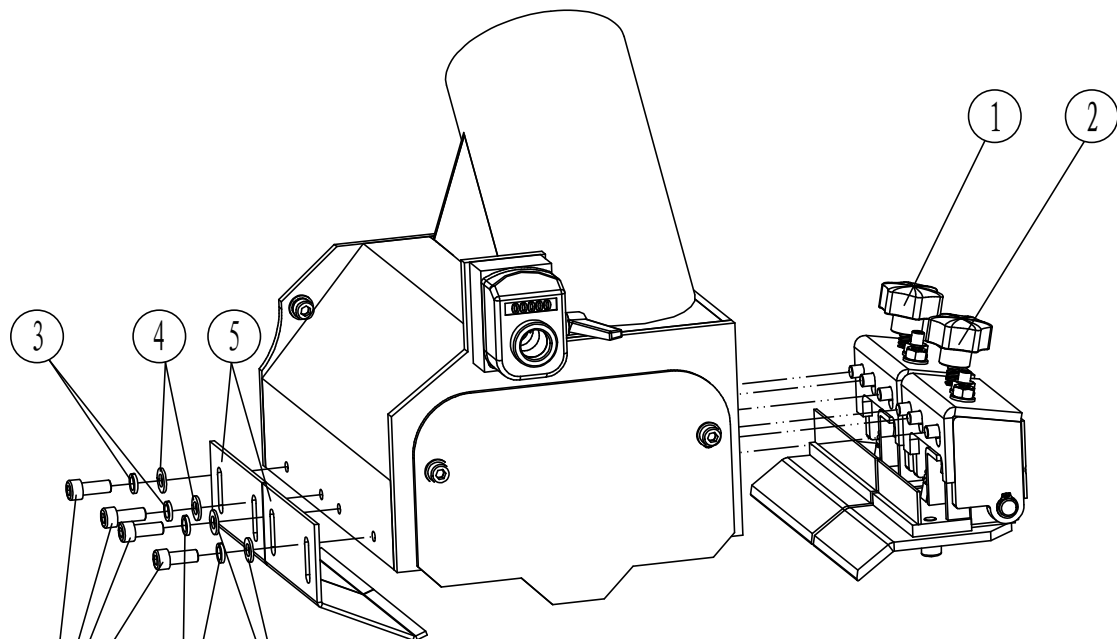
6	G97.1M14	1
5	234U0602-1	1
4	G879.1-4X22	1
3	234U0302-2	1
2	H1701-114	1
1	G70.1M6X16	1
234U0602		
	G230/4	



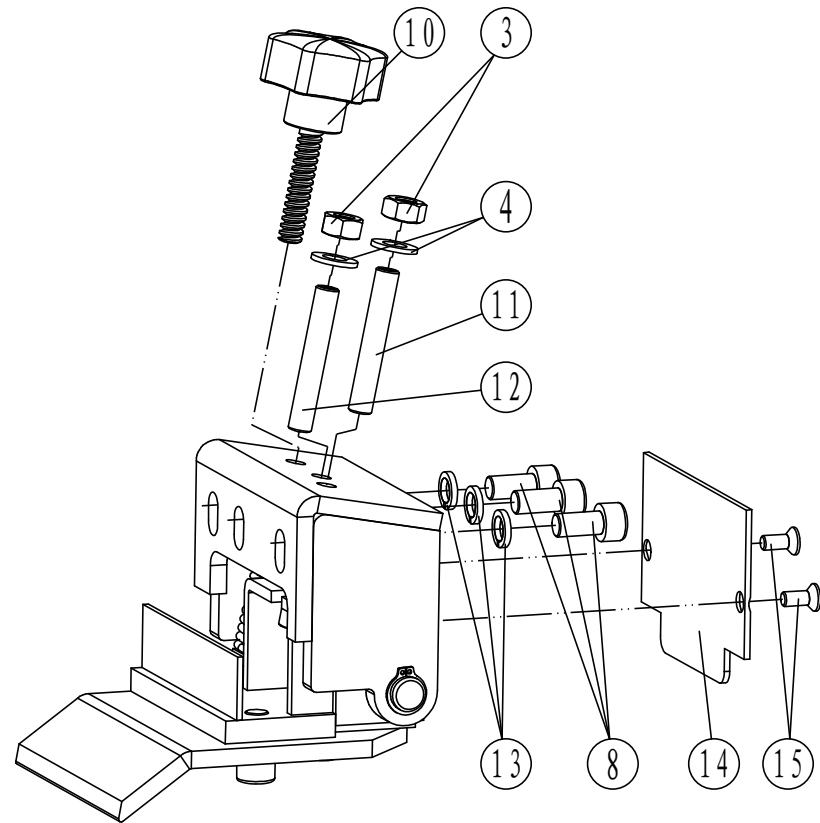
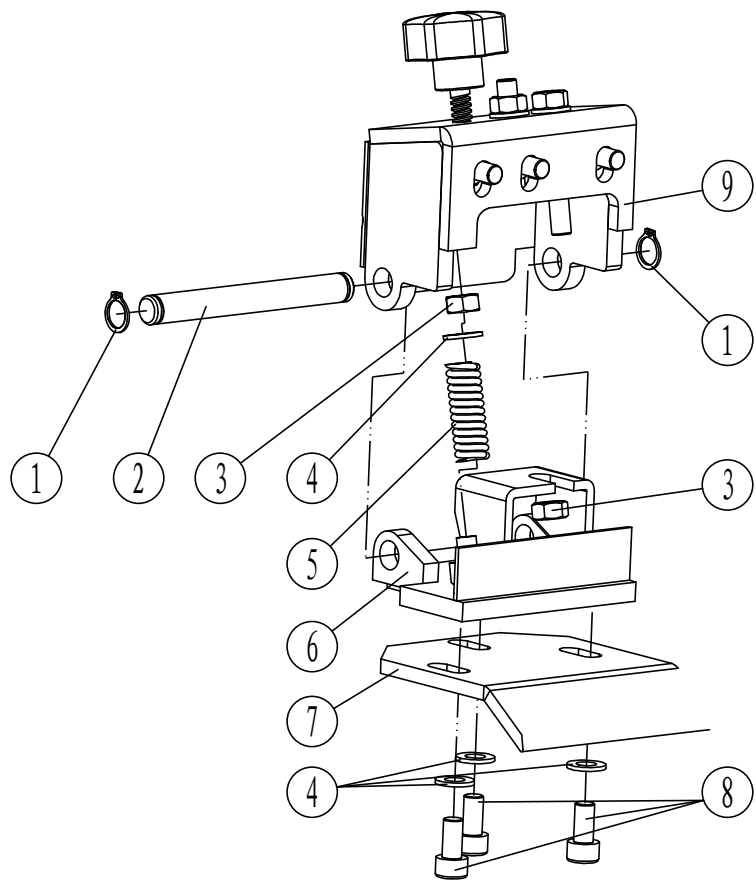
7	234U0603-4	1
6	G1096-5X20	1
5	234U0603-3	1
4	234U0603-2	1
3	H1801- ϕ 12/ ϕ 20X66	2
2	G879.1-4X20	4
1	234U0603-1	1

10	G70.1M8X20	1
9	G5287M8	1
8	234U0603-5	1

234U0603	
G230/4	

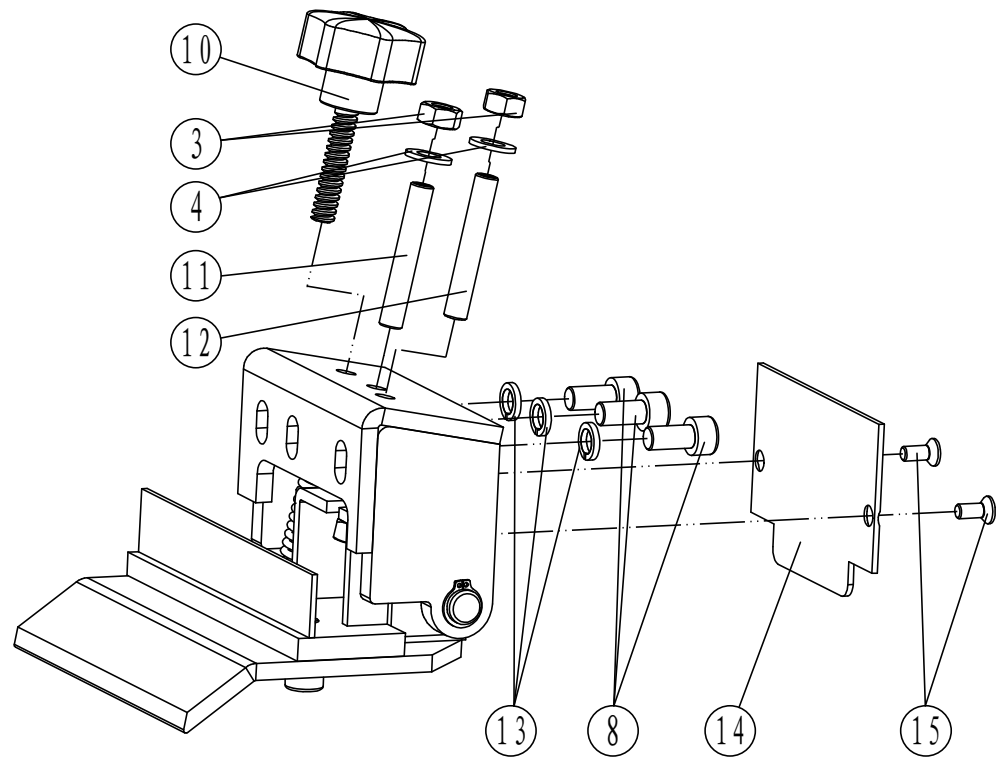
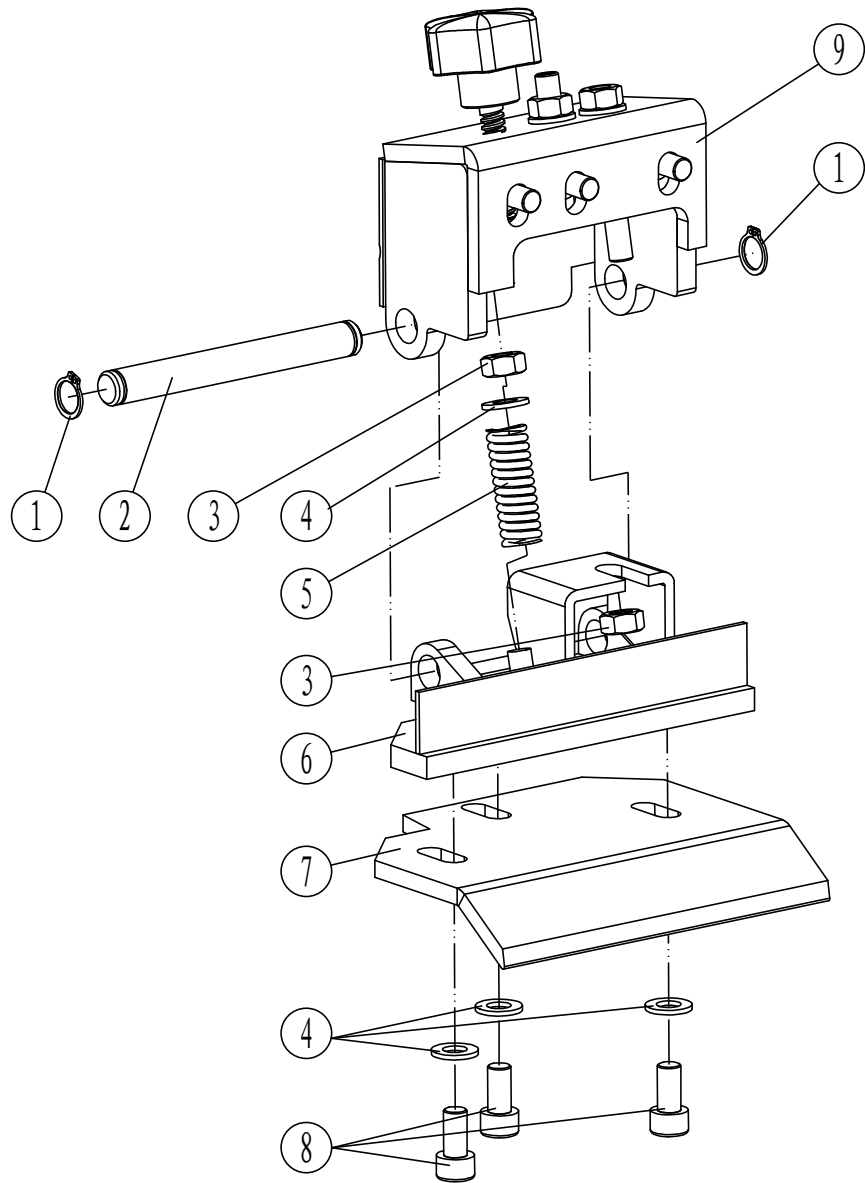


14	234U0604-1	1
13	G97.1M8X25	5
12	234U060403	1
11	DY0916-2.0-I-20-0-A	1
10	G70.1M6X30	4
9	H1702-BM6X20	1
8	234U0604-3	1
7	234U0604-4	1
6	G97.1M8X20	6
5	234U0604-2	2
4	G97.1M8	11
3	G93M8	9
2	234U060401	1
1	234U060402	1
234U0604		
G230/4		



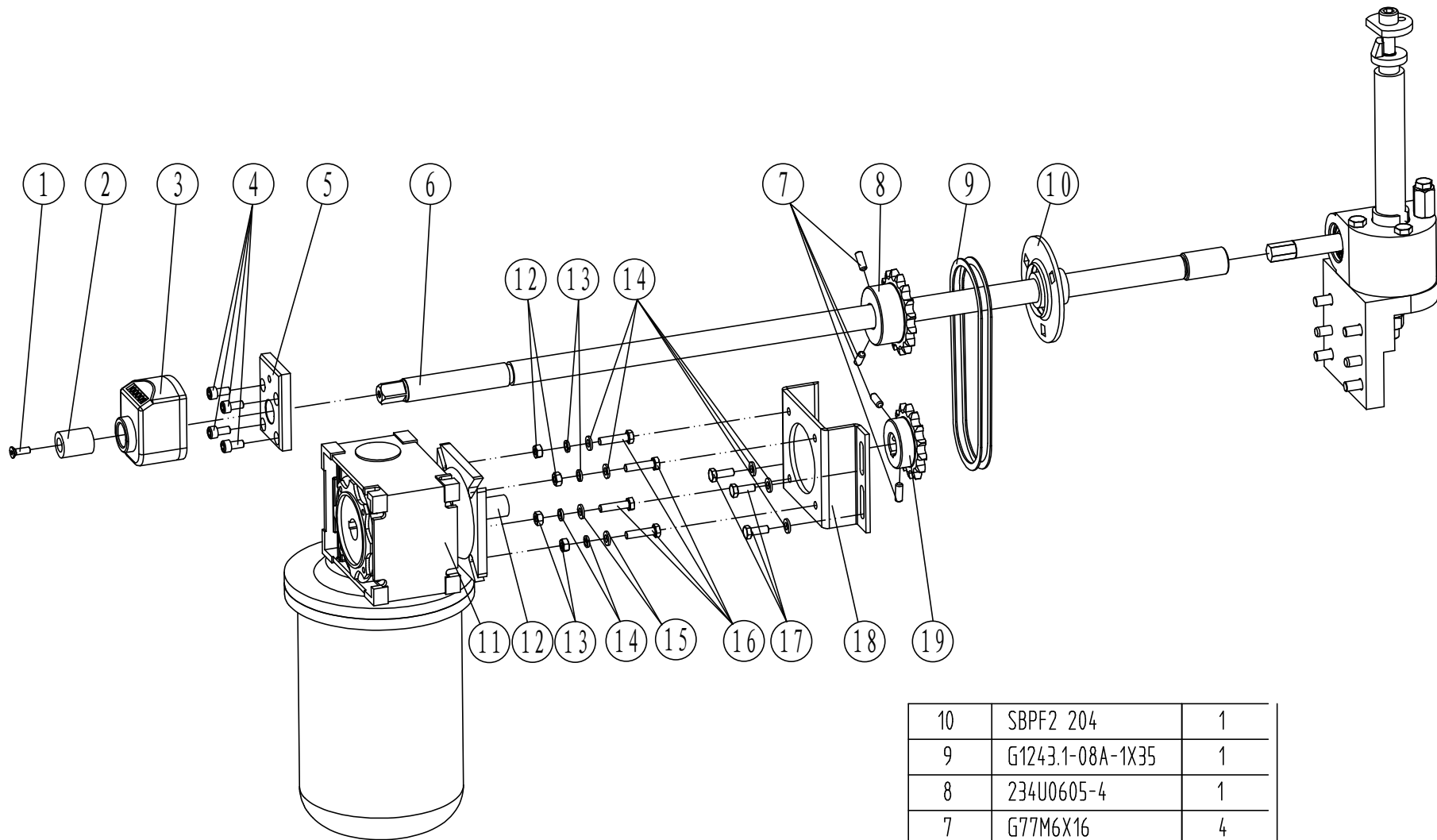
15	G2673M5X12	2
14	234U060401-4B	1
13	G93M8	3
12	234U060401-1B	1
11	234U060401-5B	1
10	H1705-BM8X40X55	1

9	234U06040102B	1
8	G70.1M8X16	6
7	234U060401-3	1
6	234U06040101	1
5	G2089-Y12.5X12X6X54	1
4	G97.1M8	6
3	G6170M8	4
2	234U060401-2	1
1	G894.1d12	2
234U060401		
	G230/4	



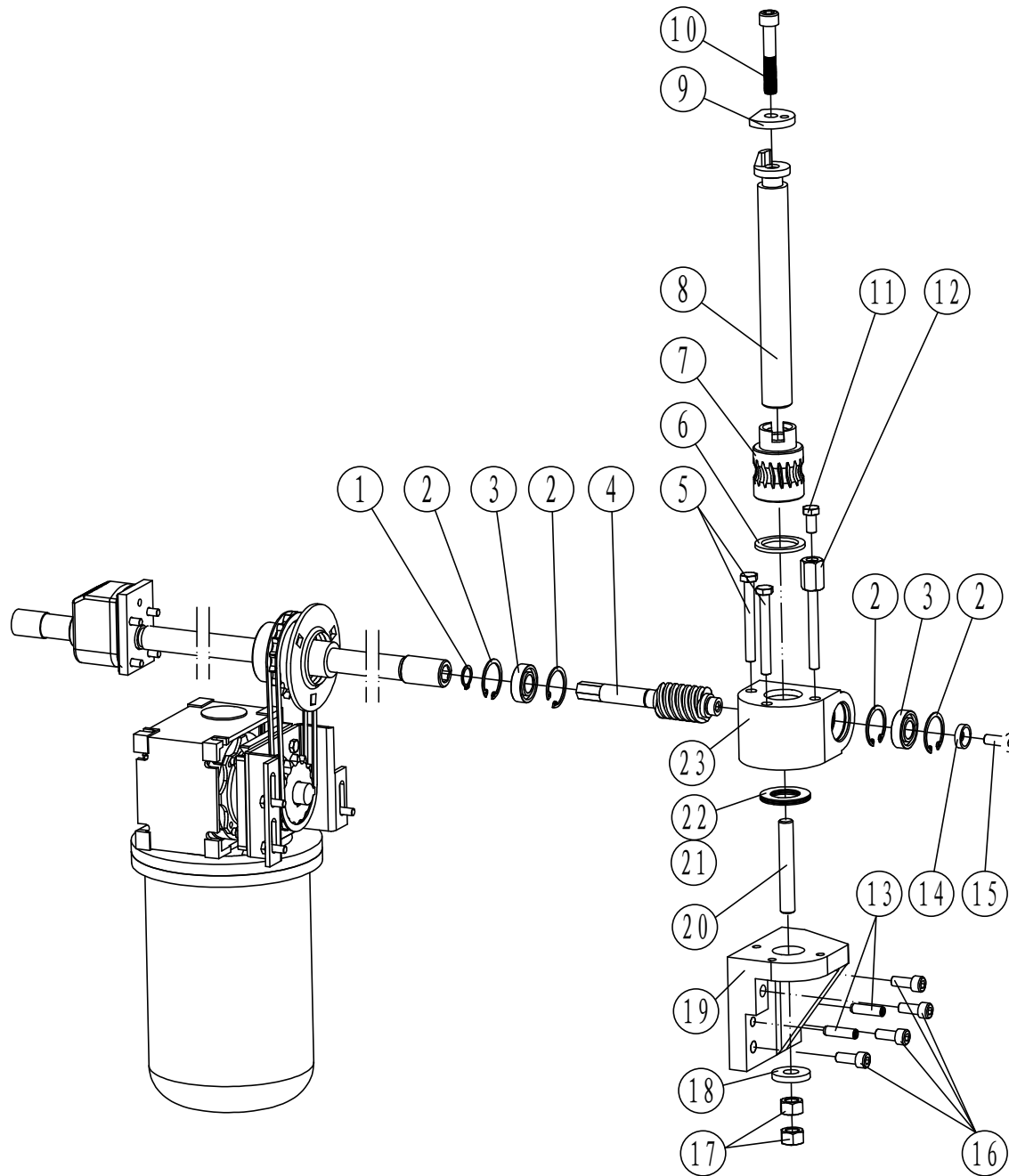
15	G2673M5X12	2
14	234U060401-4B	1
13	G93M8	3
12	234U060401-1B	1
11	234U060401-5B	1

10	H1705-BM8X40X53	1
9	234U06040102B	1
8	G70.1M8X16	6
7	234U060402-1	1
6	234U06040201	1
5	G2089-Y12.5X12X6X54	1
4	G97.1M8	6
3	G6170M8	4
2	234U060401-2	1
1	G894.1d12	2
234U060402		
	G230/4	



19	234U0605-6	1
18	234U0605-5	1
17	G5783M6X16	3
16	G5783M6X25	4
15	G97.2M6	7
14	G93M6	4
13	G6170M6	4
12	234U0605-17	1
11	RV40 20-P71B50.37FA-ZA	1

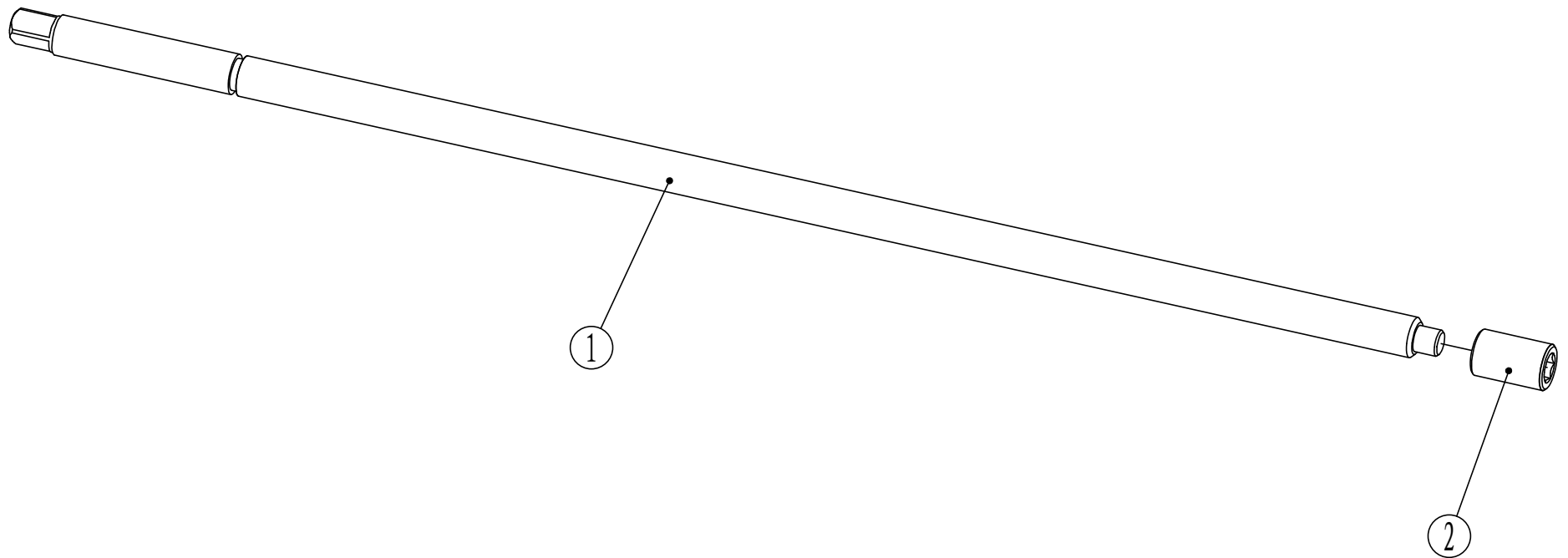
10	SBPF2 204	1
9	G1243.1-08A-1X35	1
8	234U0605-4	1
7	G77M6X16	4
6	234U060501	1
5	234U0605-3	1
4	G70.1M6X12	4
3	DY0912B-1.0-E-20-0-B	1
2	234U0605-1	1
1	G2673M5X16	1
234U0605		
	G230/4	



23	234U0605-13	1
22	G4605 AS2542	2
21	G4605 AXK2542	1
20	234U0605-9	1
19	234U0605-11	1
18	234U0605-8	1
17	G6170M12	2
16	G70.1M8X20	4
15	G2673M5X16	1
14	234U0605-10	1
13	G119-A8X30	2
12	234U0605-7	1
11	G5783M8X16	1
10	G70.1M10X60	1
9	234U0605-15	1
8	234U0605-12	1
7	234U0605-2	1
6	234U0605-14	1
5	G5783M8X70	2
4	234U0605-16	1
3	G276-6002-2Z	2
2	G893.1D32	4
1	G894.2d15	1

234U0605

G230/4



2	234U060501-2	1
1	234U060501-1	1

234U060501			
	G230/4		